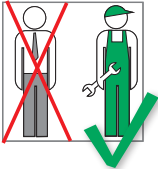


UNIVERSAL H-Module for One-pipe Systems with Drain



Only allow work on heating water systems to be performed by qualified personnel and in accordance with the respective applicable regulations, guidelines and rules of engineering.

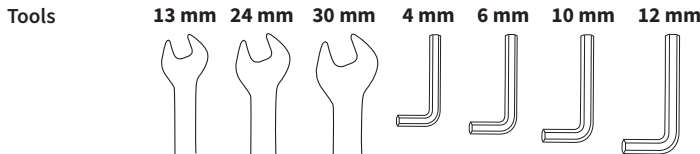
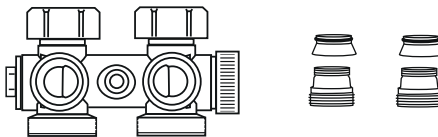


Refer in particular to:

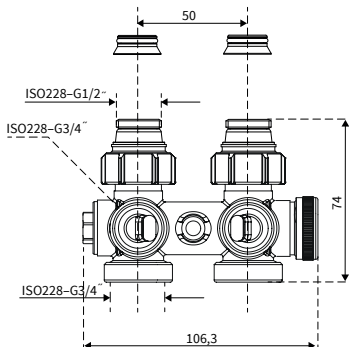
- DIN 18 380** Heating systems and central hot water supply systems
- VDI 2035** Scale formation in domestic water heating systems and water heating systems
- BGV** German Professional Association Regulations (accident prevention regulations)



Package Contents



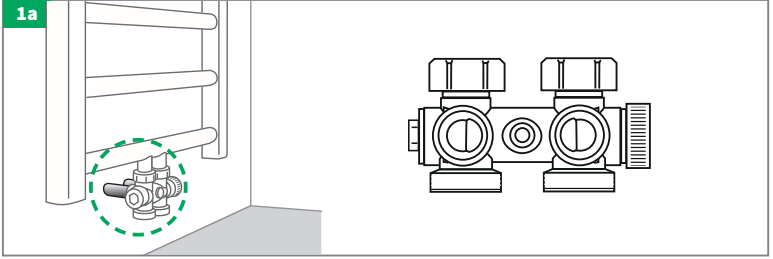
Dimensions



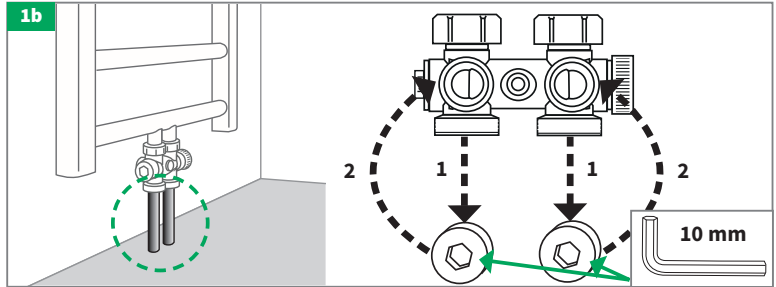


Max 110°C (230°F)
Max 10 bar
H₂O VDI 2035

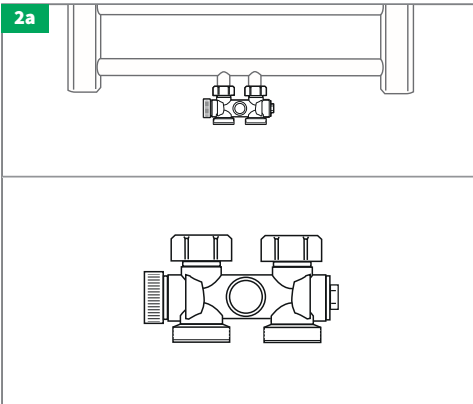
Delivery status



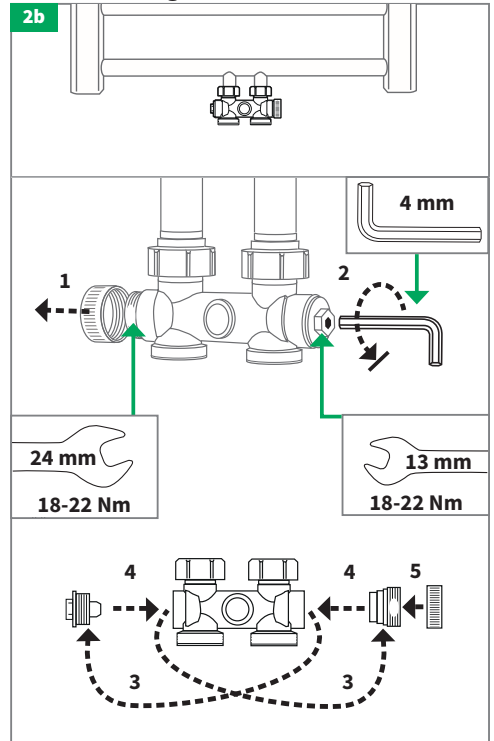
Modification angle → straight

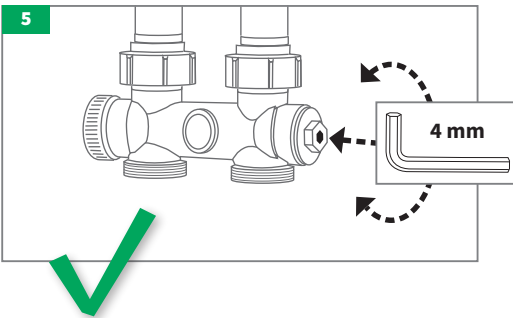
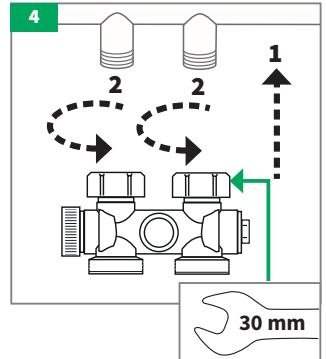
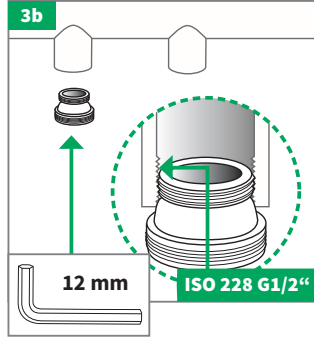
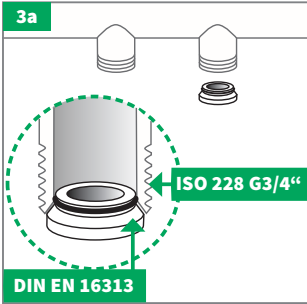


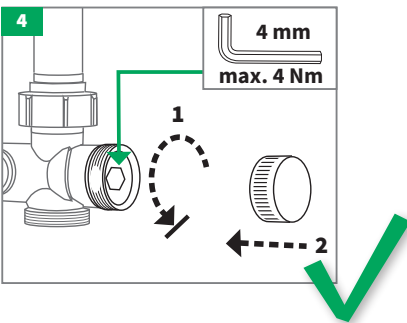
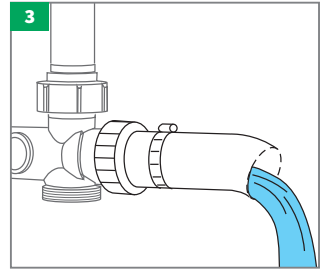
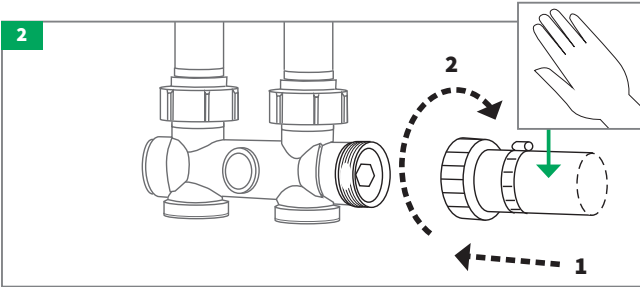
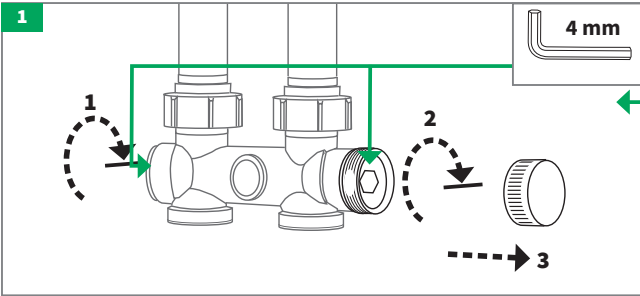
2a



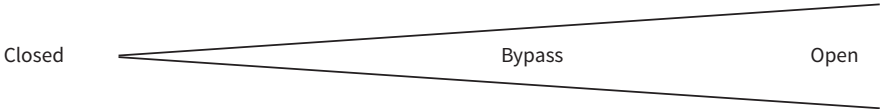
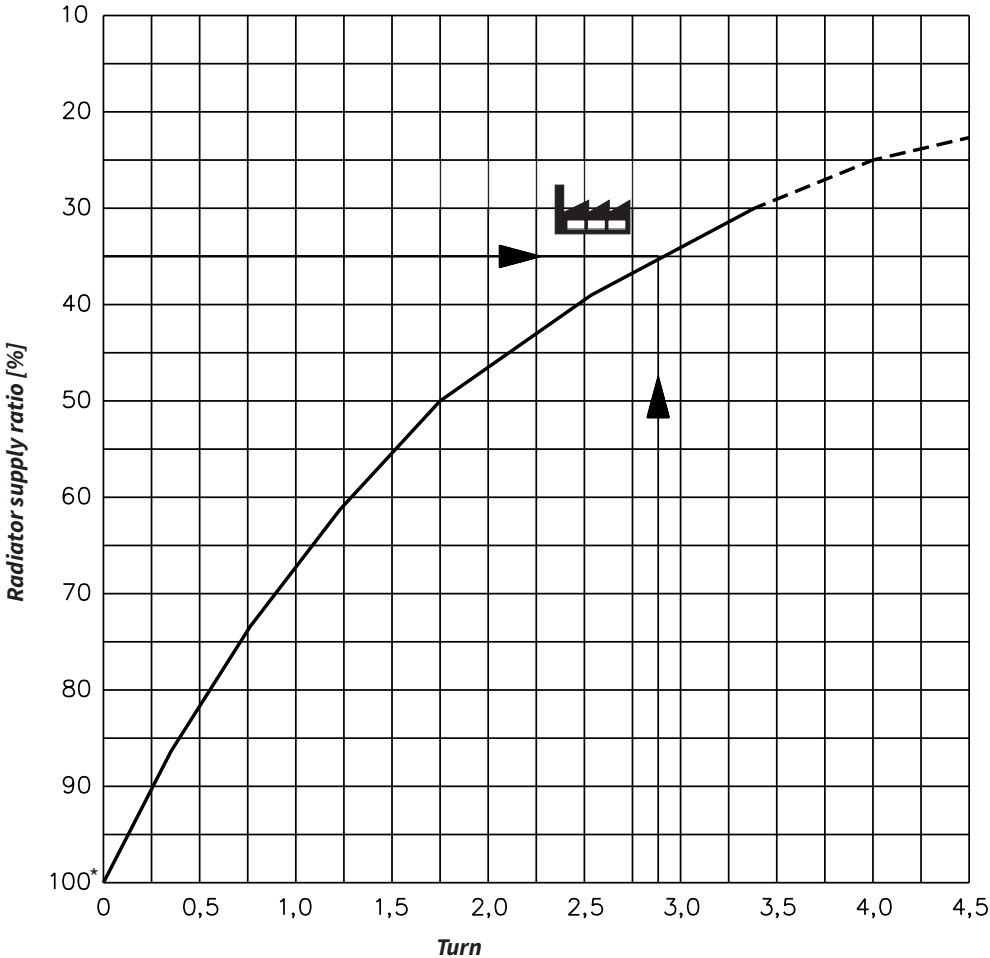
Modification right → left





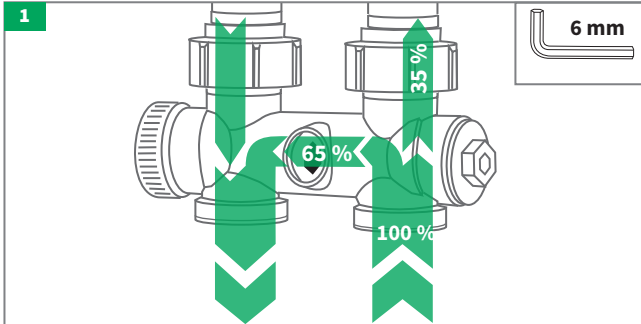


Bypass Presetting

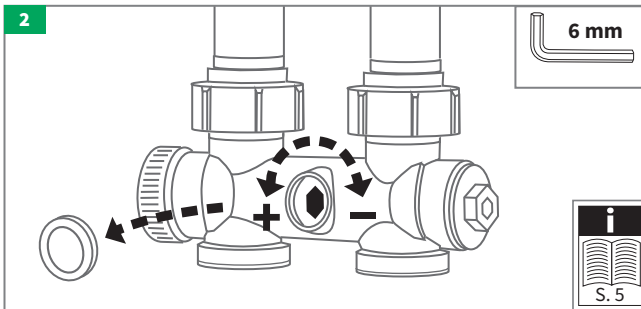


Turn = left-hand rotation from "closed" position

100 % Radiator supply ratio $\hat{=}$ Two-pipe operation



Bypass Setting



DIN = The German Institute for Standardisation

VDI = Association of German Engineers

All technical data is non-binding and does not represent guaranteed properties for the goods.

The illustrations are symbolic and may differ from the respective product.

You must follow the installation instructions. More information are available at www.simplex-armaturen.de.

Errors and technical changes reserved.

12/2017