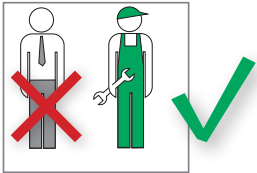
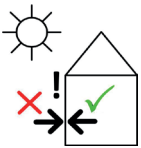




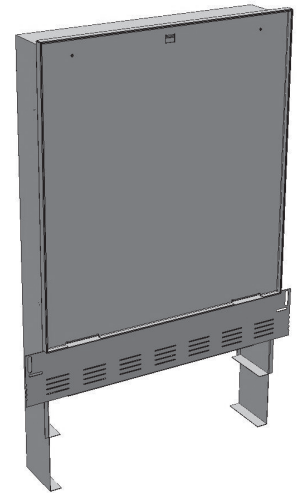
MYDESIGN integrated cabinet cover



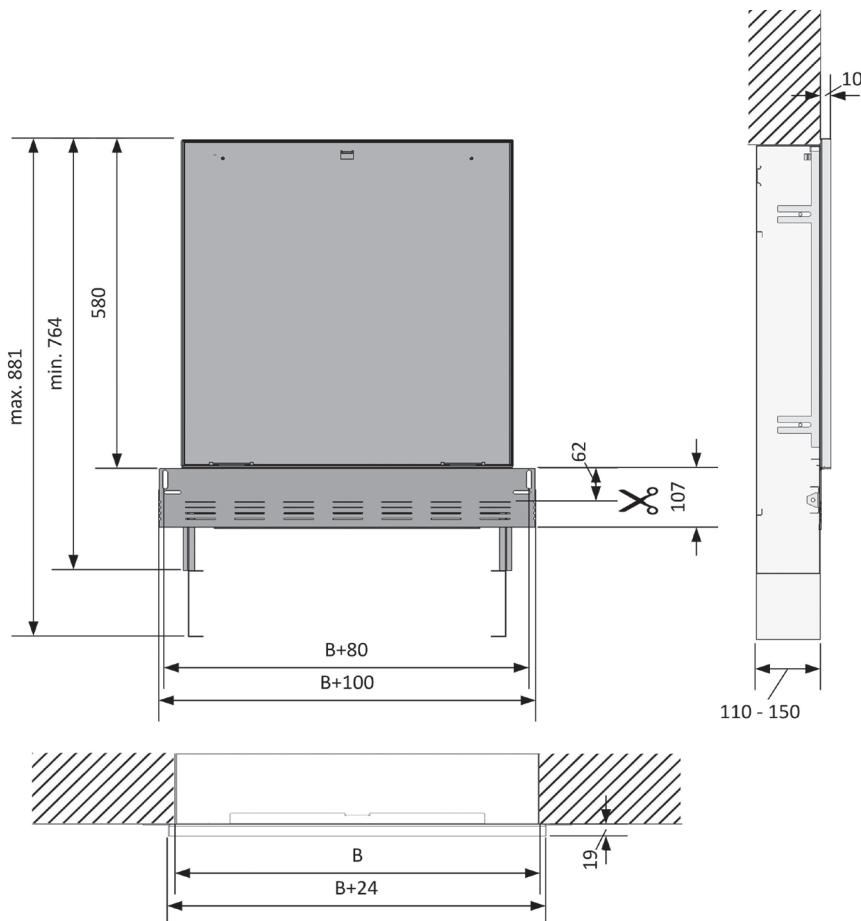
Work on heating and drinking water systems must be carried out by qualified personnel and in accordance with the applicable technical regulations, guidelines and rules.



Do not install outdoors!

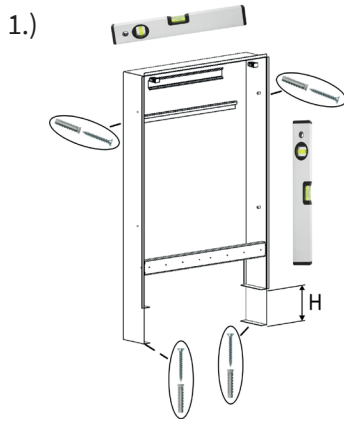


Dimensional Drawings



Type	Width B
450	450 mm
550	550 mm
700	700 mm
850	850 mm
1000	1000 mm

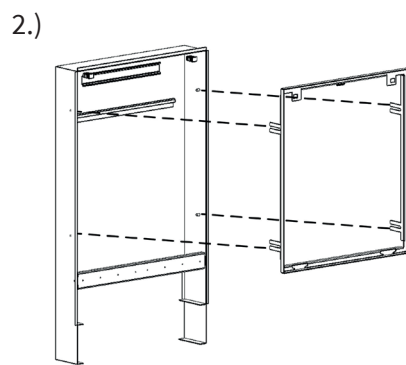
Assembly steps



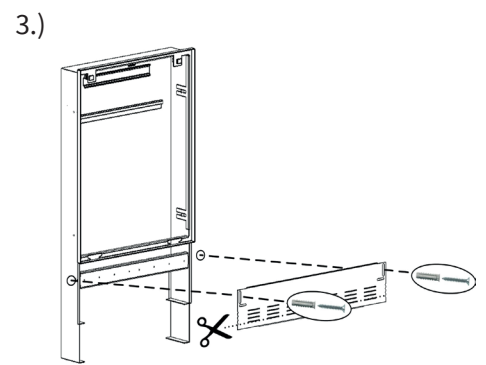
Mount the manifold cabinet to the wall and floor.

Adjust the height according to the floor structure.

Align the cabinet horizontally and vertically.

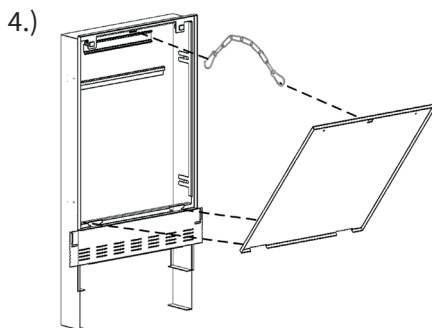


Insert the frame into the cabinet, fix it with screws on the side.



Fasten the cover panel to the wall below the frame with screws.

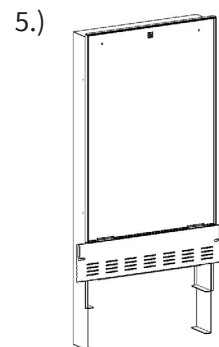
If necessary, adjust the height of the cover and deburr the cutting edge.



1. Insert door at the bottom

2. Hook in the safety chain

3. Close the door
(Push-to-close)



Individual, wall-level filling of the door is provided by the customer.

When filling with plaster, it is recommended that a plaster base plate be glued into the cover first.

All technical data is non-binding and does not represent guaranteed properties of the goods. The illustrations are symbolic and may differ from the respective product. Installation instructions must be followed.

Further information can be found at www.simplex-armaturen.de. Errors and technical changes reserved.

K80401930 03/2018