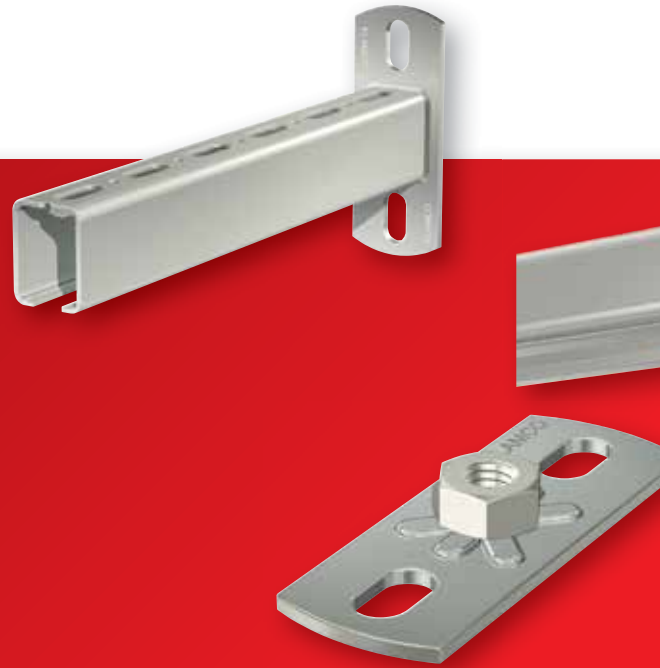


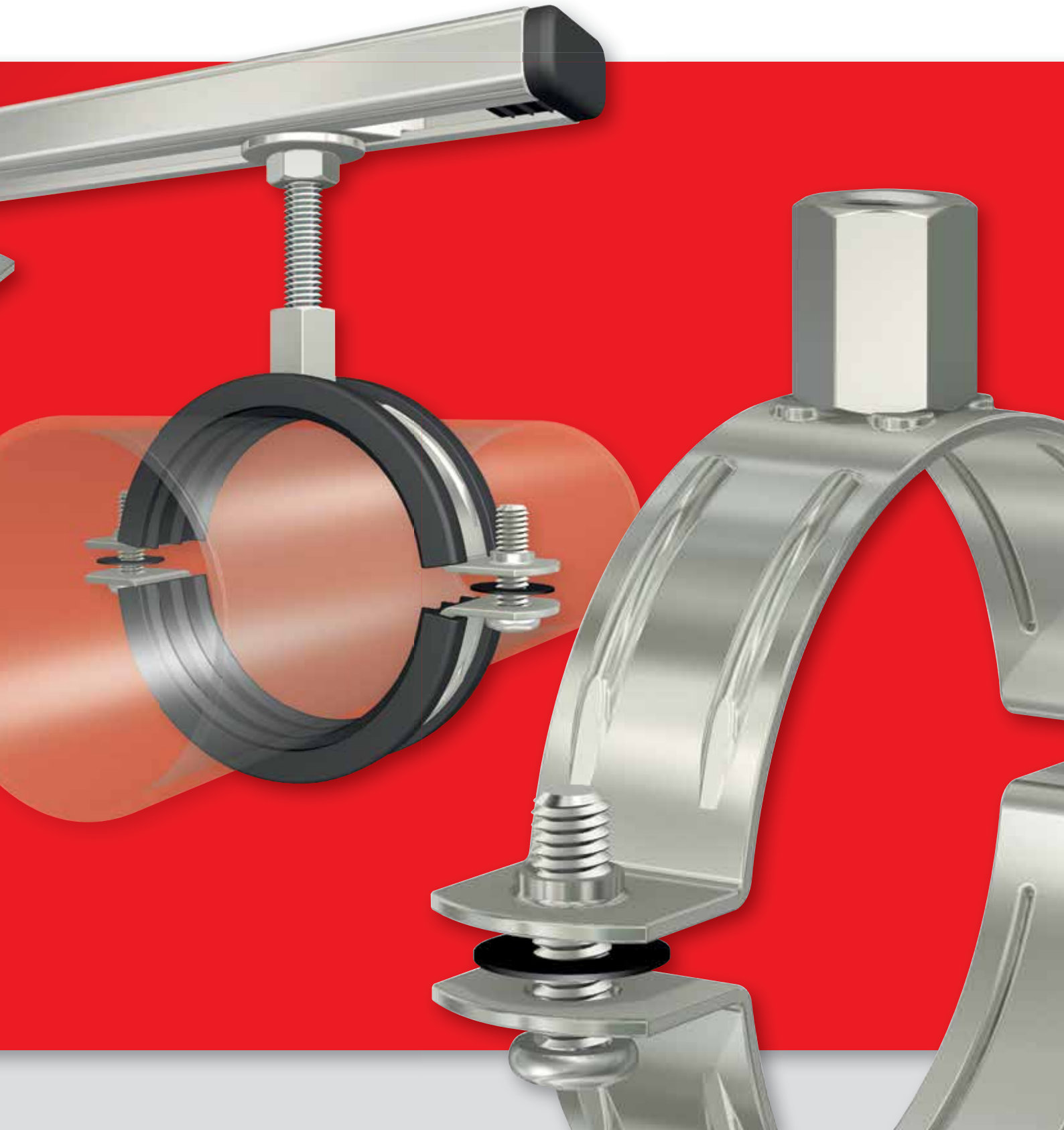


7.



# Stainless Steel Mounting Material

Flamco produces a wide range of stainless steel brackets and fittings for stainless steel pipes and tubes. These are ideal for use, not only in HVAC installations, but also in process industries where stainless steel pipe systems are specified.





## STAINLESS STEEL CLIPS

For use in situations where stainless steel mounting material is necessary, such as food processing, facilities, laboratories, the chemical industry, etc.

### BRS Clips - Stainless Steel

Stainless steel universal clips for mounting pipes to the wall or ceiling.

- Stainless steel AISI 316 (1.4401 according to EN 10088).
- Suitable for short-distance mounting.
- Safety margin for minimal breaking load (V) = 3.
- Connection: M 8/10.



Type	Ø Pipe		Strip dimensions [mm]	Max. working load [N]		Order Code
	Nom. ["]	Ext. dia. [mm]				
BRS 8 - 10 SST	1/8"	8 - 10	20 / 1.5	1000	50	38475
BRS 12 - 14 SST	1/4"	12 - 14	20 / 1.5	1000	50	38476
BRS 15 - 19 SST	3/8"	15 - 19	20 / 1.5	1000	50	38477
BRS 20 - 25 SST	1/2"	20 - 25	20 / 1.5	1000	50	38478
BRS 26 - 30 SST	3/4"	26 - 30	20 / 1.5	1000	50	38479
BRS 32 - 36 SST	1"	32 - 36	20 / 1.5	1000	50	38480
BRS 38 - 43 SST	1 1/4"	38 - 43	20 / 1.5	1000	50	38481
BRS 44 - 49 SST	1 1/2"	44 - 49	20 / 1.5	1000	50	38482
BRS 50 - 55 SST	-	50 - 55	20 / 1.5	1000	50	38483
BRS 56 - 61 SST	2"	56 - 61	20 / 1.5	1000	50	38484
BRS 62 - 67 SST	-	62 - 67	20 / 2.0	1000	50	38485
BRS 68 - 73 SST	-	68 - 73	20 / 2.0	1300	50	38486
BRS 75 - 80 SST	2 1/2"	75 - 80	20 / 2.0	1300	50	38487
BRS 82 - 86 SST	-	82 - 86	20 / 2.0	1300	50	38488
BRS 87 - 92 SST	3"	87 - 92	20 / 2.0	1300	50	38489
BRS 95 - 102 SST	3 1/2"	95 - 102	20 / 2.5	2150	50	38490
BRS 108 - 116 SST	4"	108 - 116	20 / 2.5	2150	25	38491
BRS 121 - 127 SST	-	121 - 127	20 / 2.5	2150	25	38492
BRS 131 - 141 SST	5"	131 - 141	20 / 2.5	2150	25	38493
BRS 159 - 163 SST	-	159 - 163	20 / 2.5	2150	25	38494
BRS 165 - 169 SST	6"	165 - 169	20 / 2.5	2150	25	38495
BRS 192 - 202 SST	-	192 - 202	20 / 3.0	2150	25	38496
BRS 210 - 220 SST	8"	210 - 220	20 / 3.0	2150	25	38497

### BRS-A Clips - Stainless Steel

Stainless steel universal clips with rubber strips for mounting pipes to the wall or ceiling.

- Stainless steel AISI 316 (1.4401 according to EN 10088).
- Suitable for short-distance mounting.
- Noise-suppressing rubber strip: 17 dB(A) according to ISO 3822-1.  
To achieve maximum sound suppression do not overload the fitting.
- Safety margin for minimal breaking load (V) = 3.
- Connection: M 8/10.



Type	Ø Pipe		Strip dimensions [mm]	Max. working load [N]		Order Code
	Nom. ["]	Ext. dia. [mm]				
BRS-A 8 - 10 SST	1/8"	8 - 10	20 / 1.5	1000	50	38450
BRS-A 12 - 14 SST	1/4"	12 - 14	20 / 1.5	1000	50	38451
BRS-A 15 - 19 SST	3/8"	15 - 19	20 / 1.5	1000	50	38452
BRS-A 20 - 25 SST	1/2"	20 - 25	20 / 1.5	1000	50	38453
BRS-A 26 - 30 SST	3/4"	26 - 30	20 / 1.5	1000	50	38454
BRS-A 32 - 36 SST	1"	32 - 36	20 / 1.5	1000	50	38455
BRS-A 38 - 43 SST	1 1/4"	38 - 43	20 / 1.5	1000	50	38456
BRS-A 44 - 49 SST	1 1/2"	44 - 49	20 / 1.5	1000	50	38457
BRS-A 50 - 55 SST	1 3/4"	50 - 55	20 / 1.5	1000	50	38458
BRS-A 56 - 61 SST	2"	56 - 61	20 / 1.5	1000	50	38459
BRS-A 62 - 67 SST	-	62 - 67	20 / 2.0	1300	50	38460
BRS-A 68 - 73 SST	2 1/4"	67 - 73	20 / 2.0	1300	50	38461
BRS-A 75 - 80 SST	2 1/2"	75 - 80	20 / 2.0	1300	50	38462
BRS-A 82 - 86 SST	2 3/4"	82 - 86	20 / 2.0	1300	50	38463
BRS-A 87 - 92 SST	3"	87 - 92	20 / 2.0	1300	50	38464
BRS-A 95 - 102 SST	3 1/2"	95 - 102	20 / 2.5	2150	50	38465
BRS-A 108 - 116 SST	4"	108 - 116	20 / 2.5	2150	25	38466
BRS-A 121 - 127 SST	-	121 - 127	20 / 2.5	2150	25	38467
BRS-A 131 - 141 SST	5"	131 - 141	20 / 2.5	2150	25	38468
BRS-A 159 - 163 SST	-	159 - 163	20 / 2.5	2150	25	38469
BRS-A 165 - 169 SST	6"	165 - 169	20 / 2.5	2150	25	38470
BRS-A 192 - 202 SST	-	192 - 202	20 / 3.0	2150	25	38471
BRS-A 210 - 220 SST	8"	210 - 220	20 / 3.0	2150	25	38473

**BSF Clips - Stainless Steel**

Stainless steel universal clips with rubber strips for mounting pipes to the wall or ceiling.

- Stainless steel AISI 316 (1.4401 according to EN 10088).
- Safety margin for minimal breaking load (V) = 3.
- Connection: G 1/2" M (BSP) / M 10.



Type	Ø Pipe		Strip dimensions [mm]	Max. working load [N]		Order Code
	Nom. ["]	Ext. dia. [mm]				
BSF - SST 13 - 17.5	3/8"	13 - 17.5	20 / 2.5	1650	50	51851
BSF - SST 21 - 25.5	1/2"	21 - 25.5	20 / 2.5	1650	50	51852
BSF - SST 26.5 - 30.5	3/4"	26.5 - 30.5	20 / 2.5	1650	50	51853
BSF - SST 33.5 - 38.5	1"	33.5 - 38.5	20 / 2.5	1650	50	51854
BSF - SST 41.5 - 47	1 1/4"	41.5 - 47	20 / 2.5	1650	50	51855
BSF - SST 48 - 54	1 1/2"	48 - 54	20 / 2.5	1650	50	51856
BSF - SST 56 - 62.5	2"	56 - 62.5	20 / 2.5	1650	50	51857
BSF - SST 69.5 - 76.5	2 1/2"	69.5 - 76.5	20 / 2.5	1650	50	51859
BSF - SST 82 - 85	-	82 - 85	25 / 3.0	1650	25	51860
BSF - SST 89 - 90	3"	89 - 90	25 / 3.0	1650	25	51861
BSF - SST 99 - 102	-	99 - 102	25 / 3.0	3000	25	51862
BSF - SST 109 - 112	-	109 - 112	25 / 3.0	3000	25	51863
BSF - SST 113 - 116	4"	113 - 116	25 / 3.0	3000	25	51864
BSF - SST 117 - 121	-	117 - 121	25 / 3.0	3000	25	51865
BSF - SST 125 - 129	-	125 - 129	25 / 3.0	3000	25	51866
BSF - SST 133 - 135	-	133 - 135	30 / 3.0	4000	25	51867
BSF - SST 143.5 - 150.5	-	143.5 - 150.5	30 / 3.0	4000	25	51868
BSF - SST 151.5 - 159.5	-	151.5 - 159.5	30 / 3.0	4000	25	51869
BSF - SST 163.5 - 171.5	6"	163.5 - 171.5	30 / 3.0	4000	25	51870
BSF - SST 172.5 - 182	-	172.5 - 182	30 / 3.0	4000	25	51871
BSF - SST 192.5 - 198	-	192.5 - 198	30 / 3.0	4000	25	51872
BSF - SST 215 - 220	8"	215 - 220	30 / 3.0	4000	25	51873

**BSA Clips - Stainless Steel**

Stainless steel universal clips with rubber strips for mounting pipes to the wall or ceiling.

- Stainless steel AISI 316 (1.4401 according to EN 10088).
- Noise-suppressing rubber strip: 19 dB(A) according to ISO 3822-1.  
To achieve maximum sound suppression do not overload the fitting.
- Safety margin for minimal breaking load (V) = 3.
- Connection: G 1/2" M (BSP) / M 10.



Type	Ø Pipe		Strip dimensions [mm]	Max. working load [N]		Order Code
	Nom. ["]	Ext. dia. [mm]				
BSA 14 - 16 SST	-	14 - 16	25 / 1.75	1000	50	51951
BSA 17 - 19 SST	3/8"	17 - 19	25 / 1.75	1000	50	51952
BSA 20 - 24 SST	1/2"	20 - 24	25 / 1.75	1000	50	51953
BSA 25 - 28 SST	3/4"	25 - 28	25 / 1.75	1000	50	51954
BSA 33 - 37 SST	1"	33 - 37	25 / 1.75	1000	50	51956
BSA 38 - 42 SST	1 1/4"	38 - 42	25 / 1.75	1000	50	51957
BSA 44.5 - 49 SST	1 1/2"	44.5 - 49	25 / 1.75	1000	50	51958
BSA 50 - 54 SST	-	50 - 54	25 / 1.75	1000	50	51959
BSA 56 - 60 SST	2"	56 - 60	25 / 1.75	1000	50	51960
BSA 62 - 64 SST	-	62 - 64	25 / 2.75	1750	25	51970
BSA 75 - 80 SST	2 1/2"	75 - 80	25 / 2.75	1750	25	51972
BSA 89 - 91 SST	3"	89 - 91	25 / 2.75	1750	25	51974
BSA 108 - 116 SST	4"	108 - 116	25 / 2.75	1750	25	51977
BSA 121 - 127 SST	-	121 - 127	25 / 2.75	1750	25	51979
BSA 159 - 162 SST	-	159 - 162	25 / 2.75	1750	25	51982



## STAINLESS STEEL RAIL

For fast and easy mounting of one or more suspensions or wall fixings.

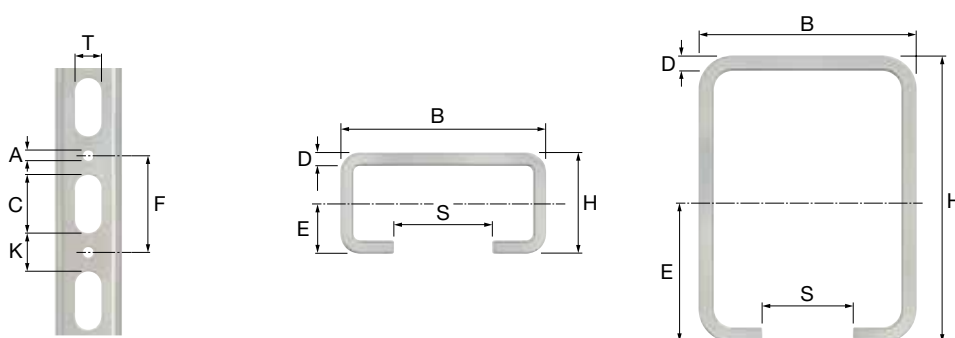
### R . Rail - Stainless Steel

- Stainless steel AISI 304.
- With slotted holes for adjustable mounting.



Type	Length [m]	Max. working load [N]		Order Code
R 1 SST	2	2000	10	50030
R 4 SST	2	2500	10	50034

### Dimensions R . Rail - Stainless Steel



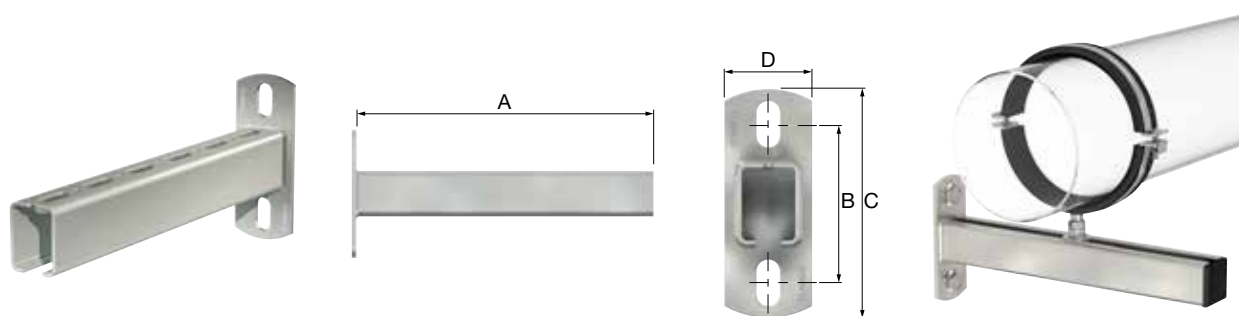
Type	Dimensions									
	H [mm]	B [mm]	A [mm]	C [mm]	D [mm]	E [mm]	F [mm]	K [mm]	S [mm]	T [mm]
R 1	15	30.5	5.3	30	2.0	8.0	50	20	14.5	10.5
R 4	46	35.0	5.3	30	2.5	23.2	50	20	14.5	13.5

## STAINLESS STEEL RAIL CONSOLES

For suspension or support directly on the wall.

### R . x ... Rail Consoles - Stainless Steel

- Stainless steel AISI 304.



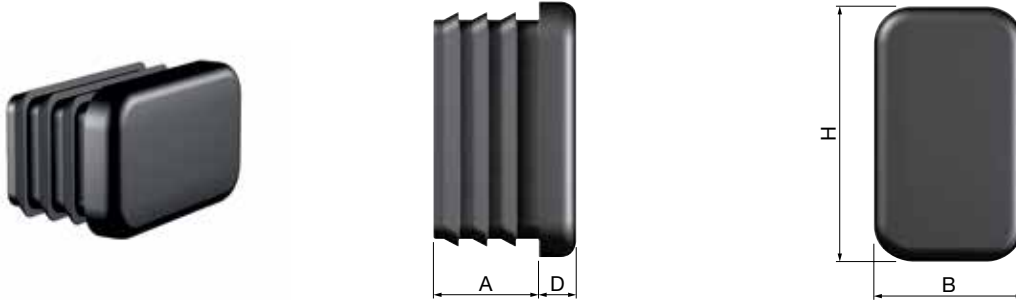
Type	Dimensions					Order Code
	A [mm]	B [mm]	C [mm]	D [mm]		
R 1 x 200 SST	200	80	115	40	10	71672
R 1 x 300 SST	300	80	115	40	10	71673
R 1 x 400 SST	400	80	115	40	10	71674
R 4 x 300 SST	300	90	130	50	10	71683
R 4 x 500 SST	500	90	130	50	10	71686

**RAIL END CAPS**

**RD Rail End Cap**

For a neat finish to Flamco rail R 1 - 8 and rail consoles. (For a neat finish to Flamco rail R 3, we advise two RD 2 rail end caps.)

- Black plastic.
- Easy to fit and self-securing.



Type	Suitable for rail	Dimensions					Order Code
		A [mm]	B [mm]	D [mm]	H [mm]		
RD 1	R 1	12	15	5	30	100	50501
RD 2	R 2 / R 3	12	20	5	35	100	50502
RD 4	R 4	14	35	5	46	100	50504
RD 6	R 6	14	41	5	60	100	50506
RD 7	R 7	14	40	5	40	100	50507
RD 8	R 8	14	30	5	40	100	50508

**STAINLESS STEEL BACKPLATES**

For mounting of a clip on a wall or ceiling, in conjunction with threaded rod or threaded pipe.

**GP Backplates - Stainless Steel**

- Stainless steel AISI 304.

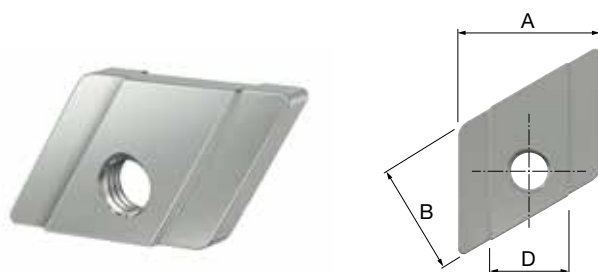


Type	Connection	Dimensions [mm]	Slotted hole [mm]		Order Code
GP 8 - 80 x 30 SST	M 8	80 x 30	9 x 16	50	39445
GP 10 - 80 x 30 SST	M 10	80 x 30	9 x 16	50	39446
GP 1/2 - 80 x 30 - SST	1/2" F	80 x 30	9 x 16	50	39447
GP 10 - 1/2 - 80 x 30 SST	G 1/2" M / M 10	80 x 30	9 x 16	50	39448

## STAINLESS STEEL RAIL SUPPORT NUTS

### M ..s Rail Support Nuts - Stainless Steel

- Stainless steel AISI 304.

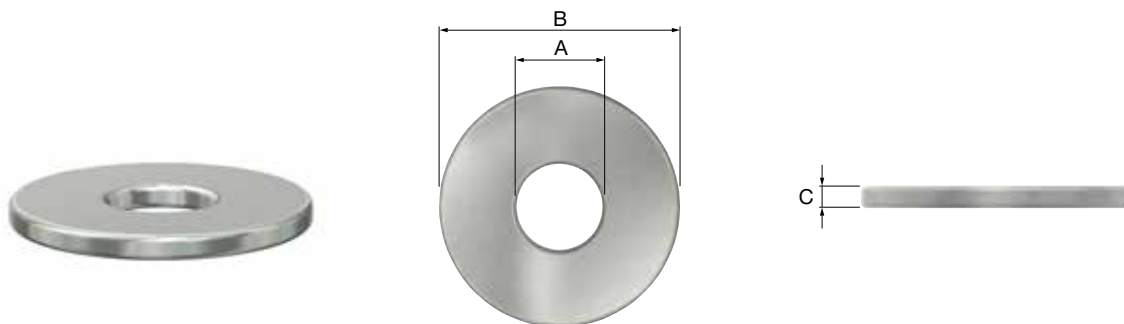


Type	Connection	Dimensions				Order Code
		A [mm]	B [mm]	D [mm]		
M 8s SST	M 8	25	20	13.5	100	80322
M 10s SST	M 10	25	20	13.5	100	80323

## STAINLESS STEEL WASHERS

### S Washers - Stainless Steel

- Stainless steel AISI 304.




Type	Connection (A)	Dimensions			Order Code
		B [mm]	C [mm]		
S 8 SST	M 8	23	1.5	100	70822
S 10 SST	M 10	29	2.0	100	70823
S 12 - SST	M 12	36	2.5	100	70824

**STAINLESS STEEL NUTS**

**M Nuts - Stainless Steel**

- Stainless steel AISI 304.

Type	Connection		Order Code
M 8 SST	M 8	100	70222
M 10 SST	M 10	100	70223
M 12 SST	M 12	50	70224




**STAINLESS STEEL THREADED PRODUCTS**

**D Threaded Rods - Stainless Steel**

For all suspensions and assemblies with threaded rod.


- Stainless steel AISI 304.

Type	L. [mm]	Connection	Max. working load [N]		Order Code
D 8 SST	1000	M 8	4500	50	70052
D 10 SST	1000	M 10	7000	10	70053
D 12 SST	1000	M 12	10000	20	70054



**HO Wood Screw Studs - Stainless Steel**

- Stainless steel AISI 304.
- Supplied with hexagonal midsection.


Type	L. [mm]	Connection		Order Code
HO 8 x 60 SST	60	M 8	100	70620
HO 8 x 80 SST	80	M 8	100	70621
HO 8 x 100 SST	100	M 8	100	70624
HO 10 x 80 SST	80	M 10	100	70622
HO 10 x 100 SST	100	M 10	100	70625
HO 10 x 120 SST	120	M 10	100	70626
HO 10 x 160 SST	160	M 10	100	51755



**STAINLESS STEEL CONNECTORS**

**Bushing - Stainless Steel**

- Stainless steel AISI 304.

Type	Connection		Order Code
Sleeve 1/2 SST	1/2" F	100	52815

