



Fixing Technology

Universal Clips



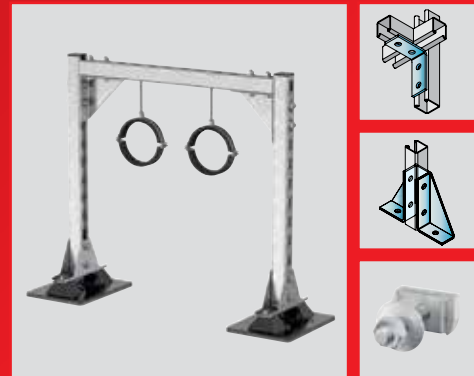
Wall Mounted Clips



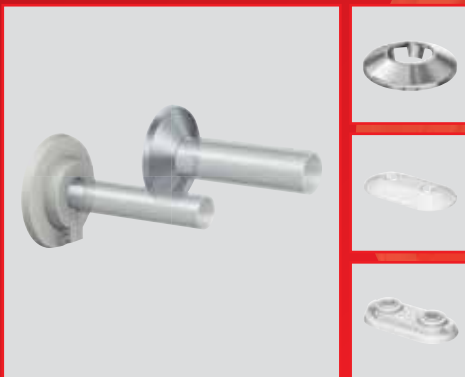
Mounting Accessories



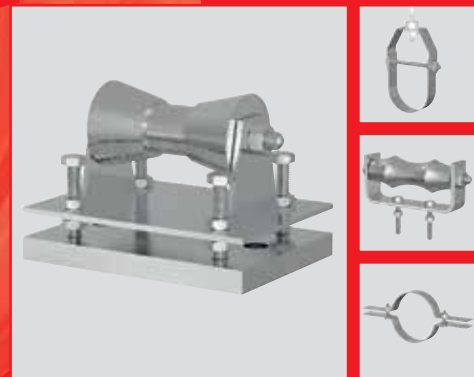
Hot-Dip Galvanized Mounting Material



Pipe Escutcheons



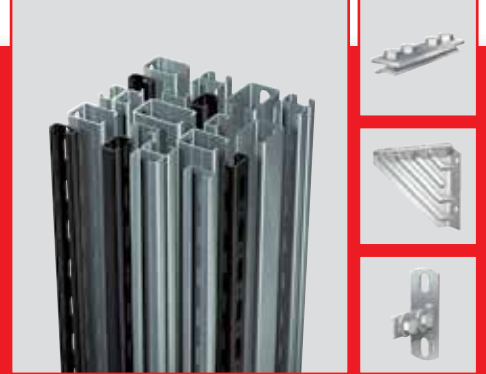
Clevis Hangers



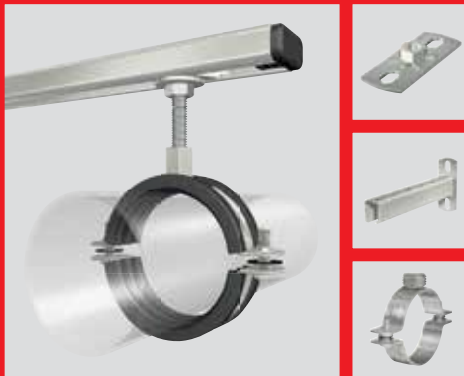
Pipe Hangers and Sprinkler Clips



Rail and Rail Accessories



Stainless Steel Mounting Material



Flamco Falx

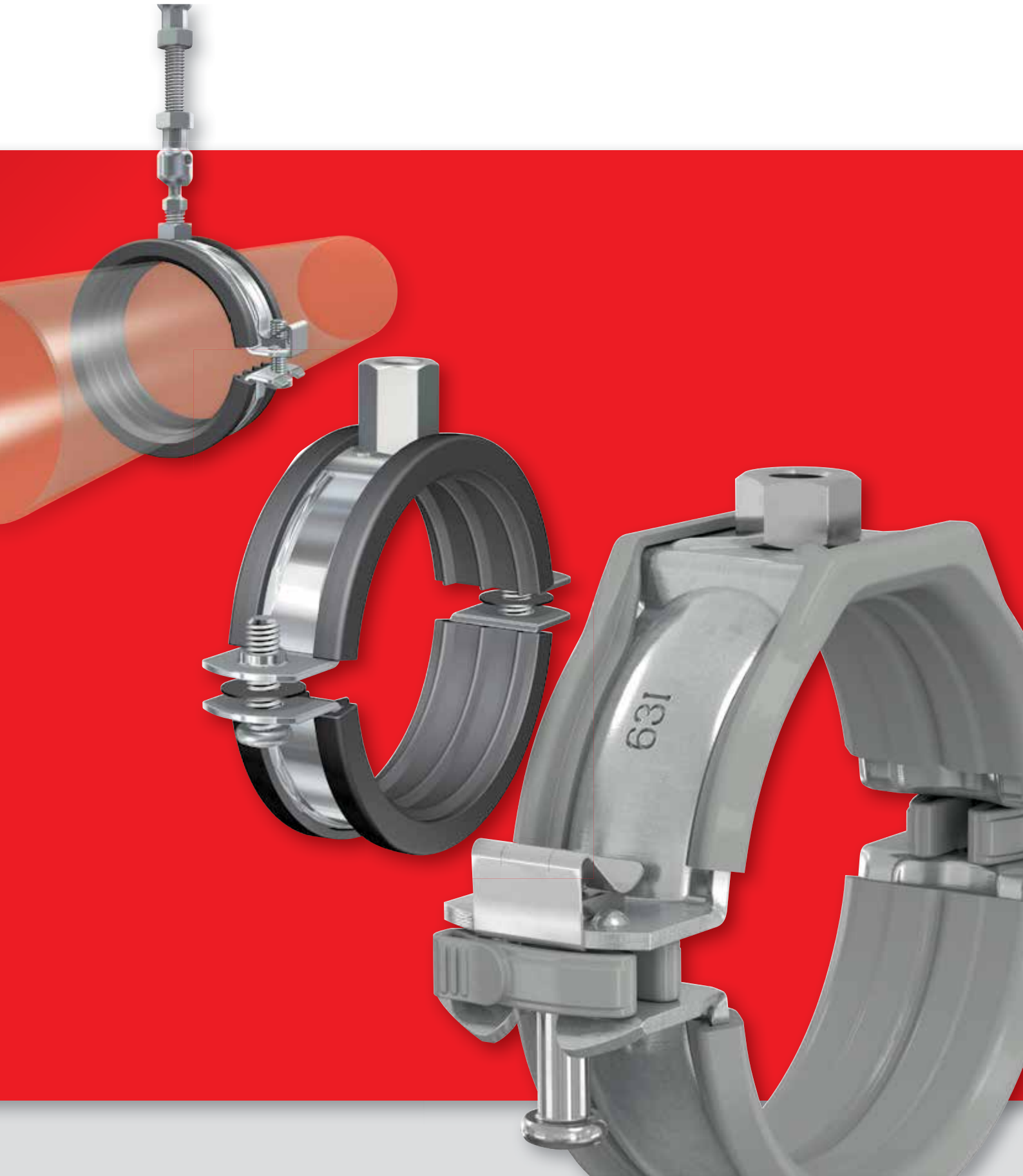


1.



Universal Clips

Whether you need ceiling, wall or floor mounted clips, Flamco has the solution. We offer a wide range of universal mounting clips with a variety of closures, connections and finishes. With or without sound absorbing rubber lining. For the smallest to the largest pipes. Flamco universal clips make sure you can mount every pipe, everywhere.

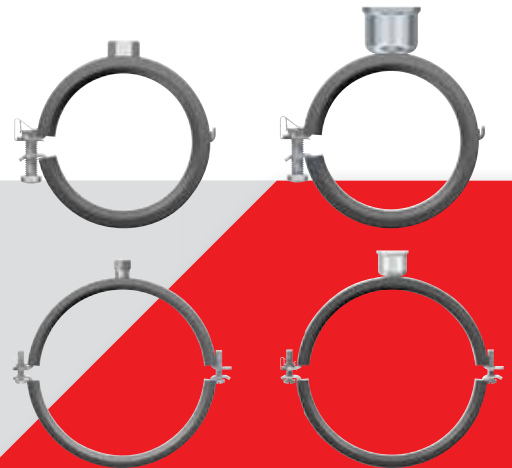
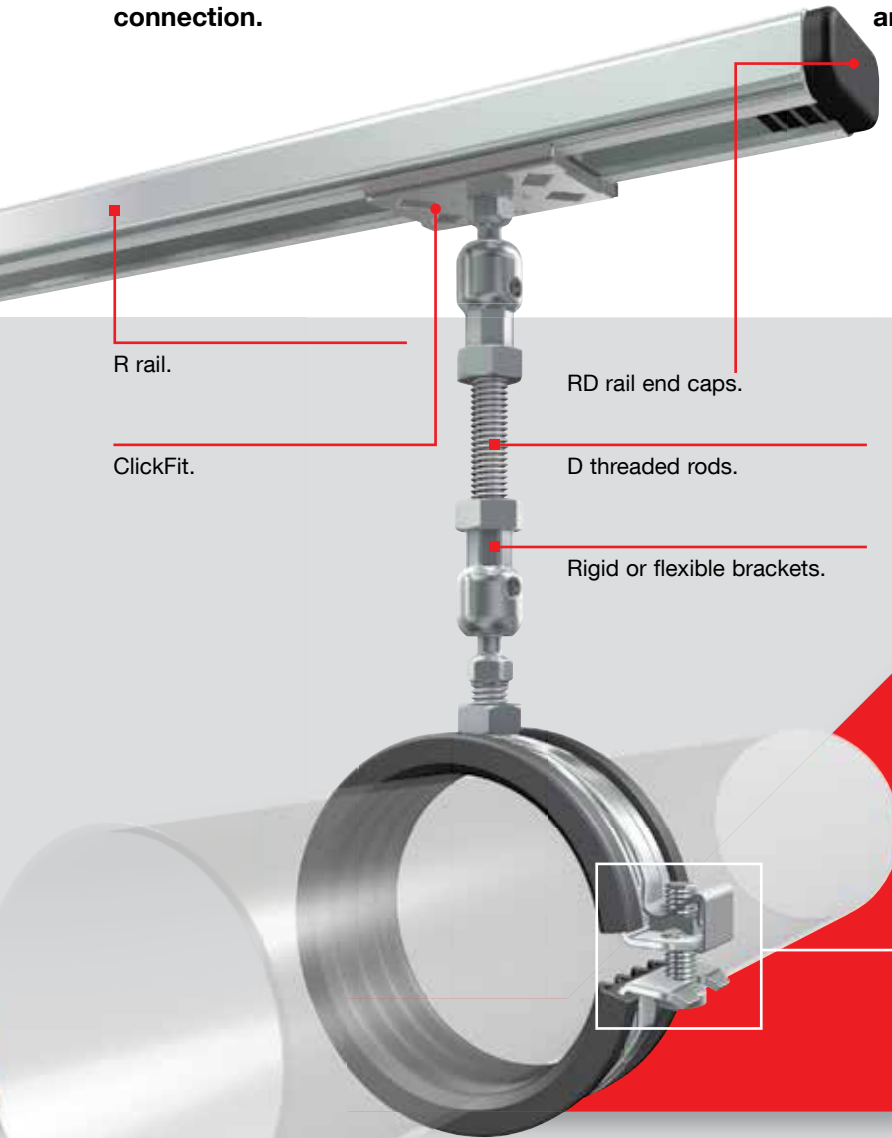


Choose the rubber lined clip that suits every type of pipe

Flamco offers you a wide range of BSA clips for all types of pipe. The BSA range extends from diameter 12 mm to 8" and from a M 8 to a 1/2" connection.

They are also available with various types of rubber for special applications.

Flamco rubber lined clips can be fitted universally and can be mounted either horizontally or vertically.



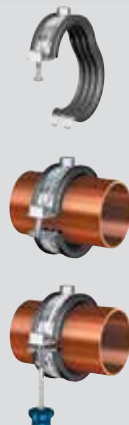
BSA clips are available with a number of different connections.

The lock bolt has a combined slot/Phillips head.

The click-spring closure makes assembly easy, without the need for tools, and without the possibility of the pipe coming loose from the clip.

Save time with the click-spring closure

Thanks to the upper spring fitting coupled with the bent shape of the lip, the clip remains closed. It is still possible to re-position the pipe at this point. The process is completed by tightening the lock bolt which holds the pipe tightly.



1. When it is open, the pipe can be positioned in the bracket.
2. Click shut: the top of the bolt will automatically slide over the lip.
3. Fasten the pipe in place by tightening the nut.



BSA

Benefits of BSA clips:

- Quick assembly and installation thanks to the patented 'click-spring' closure.
- Very close fitting, making it possible to mount pipes directly to the ceiling.
- Thick and wide material, so the clip is both very stable and rigid.
- Rubber lining with four air chambers for optimum noise suppression (19 dB(A)).
- Rubber lining clamped to the bracket. Should the pipe move in any way, the rubber will not separate from the clip: it will remain in place at all times.
- The rubber has high temperature resistance: from -40 °C to +120 °C.



BSA-C

Extra features of BSA-C:

- No more de-burring of the threaded rod.
- Insert threaded end into nut - no need to screw in.
- All you need to do is twist the bracket to the correct position.
- Fitted in no time.
- Patented system.



BSK-I

BSK-I clips

- Dedicated clips for plastic pipes with special TPE (ThermoPlastic Elastomer) lining.
- The BSK-I clip has easily removable plastic spacers between the two clip halves and can be transformed into a clenching clip without the need for tools.
- Noise reduction: 20 dB(A) with spacer, 18 dB(A) without spacer.



BSI

BSI clips

- With noise suppressing rubber lining.
- Rigidity provided by the reinforcing grooves.
- Combined M 8/10 and M 10/12 connection.
- Suitable for short installation dimensions; bolt has a slot/Phillips head.
- Two bolts with retaining ring.



RSA

RSA clips

- With noise suppressing rubber strip.
- Special welded-on nuts on the clip flanges allow high torque on the fixing bolts and permit heavy loads on the clip whilst easing installation.
- Dimensions ranging from 1/4" to 16".
- Clip: electrolytically zinc-plated.



BSI-WH

BSI-WH clips

- BSI clip, with an extra hook connection.
- With combined M 8/10 connection.



BSM-S

BSM-S clips

- Special silicon rubber lining, temperature resistant from -60 °C to 250 °C.

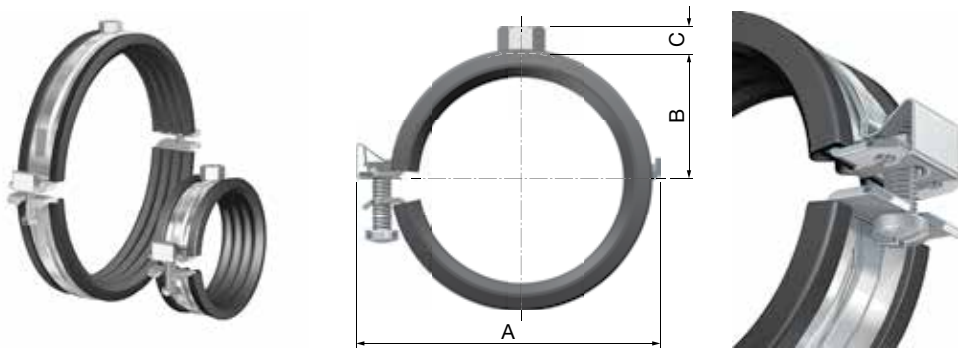


FOR ALL TYPES OF PIPE

BSA M 8 Clips

BSA clips are rubber lined universal clips for mounting pipes to the wall or ceiling. Thanks to the unique locking system, the pipe can be pre-mounted without the use of tools. This means that the pipe's position can be adjusted afterwards if necessary, and the position of a bend or a T joint determined more accurately. At this stage the fixing bolt can be tightened, so that the pipe is held and installation completed.

- With handy and quick 'click-spring' closure.
- Makes pre-mounting without tools possible.
- Noise suppressing rubber strip: 19 dB(A) according to ISO 3822-1.
To achieve maximum sound suppression do not overload the fitting.
- Clip: Electrolytically zinc-plated.
- Suitable for temperatures -40 °C to +120 °C.
- BSA clips are compatible with pipe sizes as per DIN 2448 and DIN EN 1057.




| Type | Ø Pipe | | Strip dimensions [mm] | Max. working load [N] | Dimensions | | | | Order Code |
|------------------------------|----------------|----------|-----------------------|-----------------------|------------|--------|--------|-----|------------|
| | Ext. dia. [mm] | Nom. ["] | | | A [mm] | B [mm] | C [mm] | | |
| BSA M 8 x 12 - 13,5 | 12 - 13.5 | 1/4 | 25 x 1.75 | 1300 | 45 | 14 | 8 | 100 | 39200 |
| BSA M 8 x 14 - 16 | 14 - 16 | - | 25 x 1.75 | 1300 | 47 | 15 | 8 | 100 | 39201 |
| BSA M 8 x 17 - 19 | 17 - 19 | 3/8 | 25 x 1.75 | 1300 | 50 | 17 | 8 | 100 | 39202 |
| BSA M 8 x 20 - 24 | 20 - 24 | 1/2 | 25 x 1.75 | 1300 | 54 | 19 | 8 | 100 | 39203 |
| BSA M 8 x 25 - 28 | 25 - 28 | 3/4 | 25 x 1.75 | 1300 | 59 | 21 | 8 | 100 | 39204 |
| BSA M 8 x 29 - 33 | 29 - 33 | - | 25 x 1.75 | 1300 | 63 | 23 | 8 | 100 | 39205 |
| BSA M 8 x 33 - 37 | 33 - 37 | 1 | 25 x 1.75 | 1300 | 70 | 27 | 8 | 100 | 39206 |
| BSA M 8 x 38 - 42 | 38 - 42 | 1 1/4 | 25 x 1.75 | 1300 | 78 | 31 | 8 | 100 | 39207 |
| BSA M 8 x 44.5 - 49 | 44.5 - 49 | 1 1/2 | 25 x 1.75 | 1300 | 83 | 34 | 8 | 50 | 39208 |
| BSA M 8 x 50 - 54 | 50 - 54 | - | 25 x 1.75 | 1300 | 90 | 37 | 8 | 50 | 39209 |
| BSA M 8 x 56 - 60 | 56 - 60 | 2 | 25 x 1.75 | 1300 | 96 | 40 | 8 | 50 | 39210 |
| BSA M 8 x 62 - 64 * | 62 - 64 | - | 25 x 2.75 | 2000 | 119 | 43 | 8 | 25 | 39550 |
| BSA M 8 x 68 - 73 * | 68 - 73 | - | 25 x 2.75 | 2000 | 126 | 46 | 8 | 25 | 39551 |
| BSA M 8 x 75 - 80 * | 75 - 80 | 2 1/2 | 25 x 2.75 | 2000 | 133 | 50 | 8 | 25 | 39552 |
| BSA M 8 x 82 - 86 * | 82 - 86 | - | 25 x 2.75 | 2000 | 139 | 53 | 8 | 25 | 39553 |
| BSA M 8 x 89 - 91 * | 89 - 91 | 3 | 25 x 2.75 | 2000 | 145 | 56 | 8 | 25 | 39554 |
| BSA M 8 x 95 - 102 * | 95 - 102 | 3 1/2 | 25 x 2.75 | 2000 | 157 | 62 | 8 | 25 | 39556 |
| BSA M 8 x 108 - 116 * | 108 - 116 | 4 | 25 x 2.75 | 2000 | 168 | 67 | 8 | 25 | 39558 |

* Closing system provided with 2 closing screws.



BSA M 8/10 Clips

- Similar to the BSA M 8 clips, but with a combined M 8/10 connection.


| Type | Ø Pipe | | Strip dimensions [mm] | Max. working load [N] | Dimensions | | |  | Order Code |
|--------------------------|----------------|----------|-----------------------|-----------------------|------------|--------|--------|---|------------|
| | Ext. dia. [mm] | Nom. ["] | | | A [mm] | B [mm] | C [mm] | | |
| BSA M 8/10 x 12 - 13.5 | 12 - 13.5 | 1/4 | 25 x 1.75 | 1300 | 45 | 14 | 16 | 100 | 39300 |
| BSA M 8/10 x 14 - 16 | 14 - 16 | - | 25 x 1.75 | 1300 | 47 | 15 | 16 | 100 | 39301 |
| BSA M 8/10 x 17 - 19 | 17 - 19 | 3/8 | 25 x 1.75 | 1300 | 50 | 17 | 16 | 100 | 39302 |
| BSA M 8/10 x 20 - 24 | 20 - 24 | 1/2 | 25 x 1.75 | 1300 | 54 | 19 | 16 | 100 | 39303 |
| BSA M 8/10 x 25 - 28 | 25 - 28 | 3/4 | 25 x 1.75 | 1300 | 59 | 21 | 16 | 100 | 39304 |
| BSA M 8/10 x 29 - 33 | 29 - 33 | - | 25 x 1.75 | 1300 | 63 | 23 | 16 | 100 | 39305 |
| BSA M 8/10 x 33 - 37 | 33 - 37 | 1 | 25 x 1.75 | 1300 | 70 | 27 | 16 | 100 | 39306 |
| BSA M 8/10 x 38 - 42 | 38 - 42 | 1 1/4 | 25 x 1.75 | 1300 | 78 | 31 | 16 | 100 | 39307 |
| BSA M 8/10 x 44.5- 49 | 44.5 - 49 | 1 1/2 | 25 x 1.75 | 1300 | 83 | 34 | 16 | 50 | 39308 |
| BSA M 8/10 x 50 - 54 | 50 - 54 | - | 25 x 1.75 | 1300 | 90 | 37 | 16 | 50 | 39309 |
| BSA M 8/10 x 56 - 60 | 56 - 60 | 2 | 25 x 1.75 | 1300 | 96 | 40 | 16 | 50 | 39310 |
| BSA M 8/10 x 62 - 64 * | 62 - 64 | - | 25 x 2.75 | 2000 | 119 | 43 | 16 | 25 | 39311 |
| BSA M 8/10 x 68 - 73 * | 67 - 73 | - | 25 x 2.75 | 2000 | 126 | 46 | 16 | 25 | 39312 |
| BSA M 8/10 x 75 - 80 * | 75 - 80 | 2 1/2 | 25 x 2.75 | 2000 | 133 | 50 | 16 | 25 | 39313 |
| BSA M 8/10 x 82 - 86 * | 82 - 86 | - | 25 x 2.75 | 2000 | 139 | 53 | 16 | 25 | 39314 |
| BSA M 8/10 x 89 - 91 * | 89 - 91 | 3 | 25 x 2.75 | 2000 | 145 | 56 | 16 | 25 | 39315 |
| BSA M 8/10 x 95 - 102 * | 95 - 102 | 3 1/2 | 25 x 2.75 | 2000 | 157 | 62 | 16 | 25 | 39317 |
| BSA M 8/10 x 108 - 116 * | 108 - 116 | 4 | 25 x 2.75 | 2000 | 168 | 67 | 16 | 25 | 39318 |
| BSA M 8/10 x 121 - 127 * | 121 - 127 | - | 25 x 2.75 | 2000 | 184 | 71 | 16 | 25 | 39320 |
| BSA M 8/10 x 133 - 141 * | 133 - 141 | 5 | 25 x 2.75 | 2000 | 195 | 78 | 16 | 25 | 39321 |
| BSA M 8/10 x 159 - 162 * | 159 - 162 | - | 25 x 2.75 | 2000 | 220 | 93 | 16 | 25 | 39323 |
| BSA M 8/10 x 165 - 168 * | 165 - 168 | 6 | 25 x 2.75 | 2000 | 227 | 97 | 16 | 25 | 39324 |

* Closing system provided with 2 closing screws.



BSA M 10 Clips


- Similar to the BSA M 8 clips, but with a M 10 connection.

| Type | Ø Pipe | | Strip dimensions [mm] | Max. working load [N] | Dimensions | | |  | Order Code |
|----------------------|----------------|----------|-----------------------|-----------------------|------------|--------|--------|---|------------|
| | Ext. dia. [mm] | Nom. ["] | | | A [mm] | B [mm] | C [mm] | | |
| BSA M 10 x 108 - 116 | 108 - 116 | 4 | 25 x 2.75 | 2000 | 168 | 67 | 10 | 25 | 39557 |
| BSA M 10 x 121 - 127 | 121 - 127 | - | 25 x 2.75 | 2000 | 184 | 71 | 10 | 25 | 39559 |
| BSA M 10 x 133 - 141 | 133 - 141 | 5 | 25 x 2.75 | 2000 | 195 | 78 | 10 | 25 | 39560 |
| BSA M 10 x 159 - 162 | 159 - 162 | - | 25 x 2.75 | 2000 | 220 | 93 | 10 | 25 | 39562 |
| BSA M 10 x 165 - 168 | 165 - 168 | 6 | 25 x 2.75 | 2000 | 227 | 97 | 10 | 25 | 39563 |



BSA M 12 Clips

- Similar to the BSA M 8 clips, but with a M 12 connection.

| Type | Ø Pipe | | Strip dimensions [mm] | Max. working load [N] | Dimensions | | |  | Order Code |
|------------------------|----------------|----------|-----------------------|-----------------------|------------|--------|--------|---|------------|
| | Ext. dia. [mm] | Nom. ["] | | | A [mm] | B [mm] | C [mm] | | |
| BSA M 12 x 17 - 19 | 17 - 19 | 3/8 | 25 x 1.75 | 1300 | 50 | 17 | 12 | 50 | 39272 |
| BSA M 12 x 20 - 24 | 20 - 24 | 1/2 | 25 x 1.75 | 1300 | 54 | 19 | 12 | 50 | 39273 |
| BSA M 12 x 25 - 28 | 25 - 28 | 3/4 | 25 x 1.75 | 1300 | 59 | 22 | 12 | 50 | 39274 |
| BSA M 12 x 33 - 37 | 33 - 37 | 1 | 25 x 1.75 | 1300 | 70 | 27 | 12 | 50 | 39276 |
| BSA M 12 x 38 - 42 | 38 - 42 | 1 1/4 | 25 x 1.75 | 1300 | 78 | 31 | 12 | 50 | 39277 |
| BSA M 12 x 44.5- 49 | 44.5 - 49 | 1 1/2 | 25 x 1.75 | 1300 | 83 | 34 | 12 | 50 | 39278 |
| BSA M 12 x 50 - 54 | 50 - 54 | - | 25 x 1.75 | 1300 | 90 | 37 | 12 | 50 | 39279 |
| BSA M 12 x 56 - 60 | 56 - 60 | 2 | 25 x 1.75 | 1300 | 96 | 40 | 12 | 50 | 39280 |
| BSA M 12 x 62 - 64 * | 62 - 64 | - | 25 x 2.75 | 2000 | 119 | 43 | 12 | 25 | 39231 |
| BSA M 12 x 68 - 73 * | 67 - 73 | - | 25 x 2.75 | 2000 | 126 | 46 | 12 | 25 | 39232 |
| BSA M 12 x 75 - 80 * | 75 - 80 | 2 1/2 | 25 x 2.75 | 2000 | 133 | 50 | 12 | 25 | 39233 |
| BSA M 12 x 82 - 86 * | 82 - 86 | - | 25 x 2.75 | 2000 | 139 | 53 | 12 | 25 | 39235 |
| BSA M 12 x 89 - 91 * | 89 - 91 | 3 | 25 x 2.75 | 2000 | 145 | 56 | 12 | 25 | 39236 |
| BSA M 12 x 95 - 102 * | 95 - 102 | 3 1/2 | 25 x 2.75 | 2000 | 157 | 62 | 12 | 25 | 39237 |
| BSA M 12 x 108 - 116 * | 108 - 116 | 4 | 25 x 2.75 | 2000 | 168 | 67 | 12 | 25 | 39238 |
| BSA M 12 x 121 - 127 * | 121 - 127 | - | 25 x 2.75 | 2000 | 184 | 71 | 12 | 25 | 39240 |
| BSA M 12 x 133 - 141 * | 133 - 141 | 5 | 25 x 2.75 | 2000 | 195 | 78 | 12 | 25 | 39241 |
| BSA M 12 x 159 - 162 * | 159 - 162 | - | 25 x 2.75 | 2000 | 220 | 93 | 12 | 25 | 39243 |
| BSA M 12 x 165 - 168 * | 165 - 168 | 6 | 25 x 2.75 | 2000 | 227 | 97 | 12 | 25 | 39244 |

* Closing system provided with 2 closing screws.

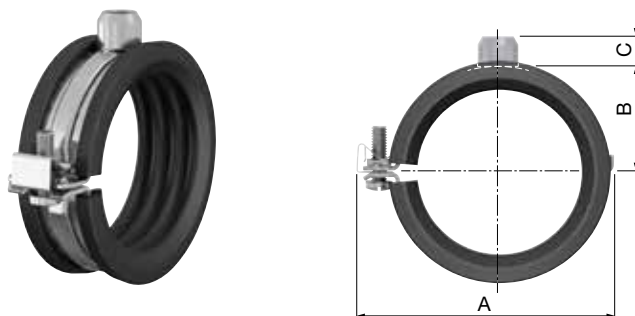





BSA-C M 8 Clips

With M 8 'Click' connection for quick mounting.

- Deburring of threaded rod is not necessary.
- Reduced installation time.
- The correct position can be set by turning the clip.
- Clip: Electrolytically zinc-plated.
- Suitable for thread in accordance with ISO 965-2.
- Safety margin for min. breaking load (V) = 3.
- To obtain the maximum noise reduction, the insert of the bracket must not be overloaded.

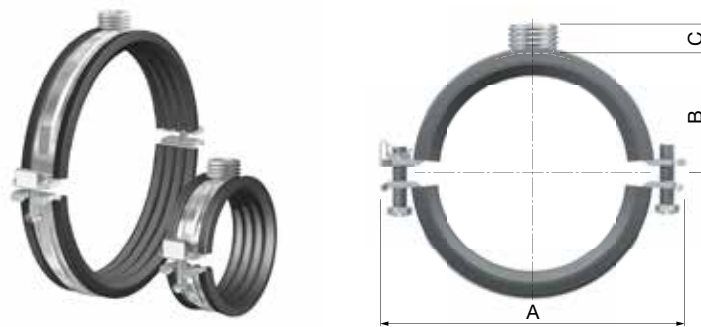


| Type | Ø Pipe | | Strip dimensions [mm] | Max. working load [N] | Dimensions | | |  | Order Code |
|----------------------------|----------------|----------|-----------------------|-----------------------|------------|--------|--------|--|------------|
| | Ext. dia. [mm] | Nom. ["] | | | A [mm] | B [mm] | C [mm] | | |
| BSA-C M 8 12 - 13,5 | 12 - 13.5 | 1/4 | 25 x 1.75 | 600 | 45 | 14 | 12 | 100 | 39170 |
| BSA-C M 8 14 - 16 | 14 - 16 | - | 25 x 1.75 | 600 | 47 | 15 | 12 | 100 | 39171 |
| BSA-C M 8 17 - 19 | 17 - 19 | 3/8 | 25 x 1.75 | 600 | 50 | 17 | 12 | 100 | 39172 |
| BSA-C M 8 20 - 24 | 20 - 24 | 1/2 | 25 x 1.75 | 600 | 54 | 19 | 12 | 100 | 39173 |
| BSA-C M 8 25 - 28 | 25 - 28 | 3/4 | 25 x 1.75 | 600 | 59 | 21 | 12 | 100 | 39174 |
| BSA-C M 8 29 - 33 | 29 - 33 | - | 25 x 1.75 | 600 | 63 | 23 | 12 | 100 | 39175 |
| BSA-C M 8 33 - 37 | 33 - 37 | 1 | 25 x 1.75 | 600 | 70 | 27 | 12 | 100 | 39176 |
| BSA-C M 8 38 - 42 | 38 - 42 | 1 1/4 | 25 x 1.75 | 600 | 78 | 31 | 12 | 100 | 39177 |
| BSA-C M 8 44,5 - 49 | 44.5 - 49 | 1 1/2 | 25 x 1.75 | 600 | 83 | 34 | 12 | 50 | 39178 |
| BSA-C M 8 50 - 54 | 50 - 54 | - | 25 x 1.75 | 600 | 90 | 37 | 12 | 50 | 39179 |
| BSA-C M 8 56 - 60 | 56 - 60 | 2 | 25 x 1.75 | 600 | 96 | 40 | 12 | 50 | 39180 |



BSA 1/2 M / M 10 Clips

- Similar to the BSA M 8 clips, but with a combined G 1/2" M (BSP) / M 10 connection.



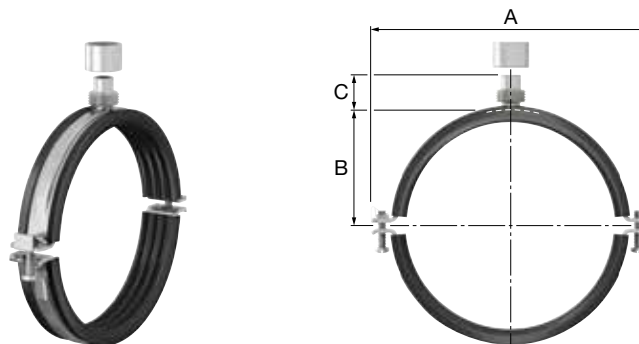
| Type | Ø Pipe | | Strip dimensions [mm] | Max. working load [N] | Dimensions | | | | Order Code |
|--------------------------------|----------------|----------|-----------------------|-----------------------|------------|--------|--------|----|------------|
| | Ext. dia. [mm] | Nom. ["] | | | A [mm] | B [mm] | C [mm] | | |
| BSA 1/2 M / M 10 x 12 - 13,5 | 12 - 13.5 | 1/4 | 25 x 1.75 | 1300 | 45 | 14 | 10 | 50 | 51900 |
| BSA 1/2 M / M 10 x 14 - 16 | 14 - 16 | - | 25 x 1.75 | 1300 | 47 | 15 | 10 | 50 | 51901 |
| BSA 1/2 M / M 10 x 17 - 19 | 17 - 19 | 3/8 | 25 x 1.75 | 1300 | 50 | 17 | 10 | 50 | 51902 |
| BSA 1/2 M / M 10 x 20 - 24 | 20 - 24 | 1/2 | 25 x 1.75 | 1300 | 54 | 19 | 10 | 50 | 51903 |
| BSA 1/2 M / M 10 x 25 - 28 | 25 - 28 | 3/4 | 25 x 1.75 | 1300 | 59 | 21 | 10 | 50 | 51904 |
| BSA 1/2 M / M 10 x 29 - 33 | 29 - 33 | - | 25 x 1.75 | 1300 | 63 | 23 | 10 | 50 | 51905 |
| BSA 1/2 M / M 10 x 33 - 37 | 33 - 37 | 1 | 25 x 1.75 | 1300 | 70 | 27 | 10 | 50 | 51906 |
| BSA 1/2 M / M 10 x 38 - 42 | 38 - 42 | 1 1/4 | 25 x 1.75 | 1300 | 78 | 31 | 10 | 50 | 51907 |
| BSA 1/2 M / M 10 x 44,5- 49 | 44.5- 49 | 1 1/2 | 25 x 1.75 | 1300 | 83 | 34 | 10 | 50 | 51908 |
| BSA 1/2 M / M 10 x 50 - 54 | 50 - 54 | - | 25 x 1.75 | 1300 | 90 | 37 | 10 | 50 | 51909 |
| BSA 1/2 M / M 10 x 56 - 60 | 56 - 60 | 2 | 25 x 1.75 | 1300 | 96 | 40 | 10 | 50 | 51910 |
| BSA 1/2 M / M 10 x 62 - 64 * | 62 - 64 | - | 25 x 2.75 | 2000 | 119 | 43 | 10 | 25 | 51920 |
| BSA 1/2 M / M 10 x 68 - 73 * | 67 - 73 | - | 25 x 2.75 | 2000 | 126 | 46 | 10 | 25 | 51921 |
| BSA 1/2 M / M 10 x 75 - 80 * | 75 - 80 | 2 1/2 | 25 x 2.75 | 2000 | 133 | 50 | 10 | 25 | 51922 |
| BSA 1/2 M / M 10 x 82 - 86 * | 82 - 86 | - | 25 x 2.75 | 2000 | 139 | 53 | 10 | 25 | 51923 |
| BSA 1/2 M / M 10 x 89 - 91 * | 89 - 91 | 3 | 25 x 2.75 | 2000 | 145 | 56 | 10 | 25 | 51924 |
| BSA 1/2 M / M 10 x 95 - 102 * | 95 - 102 | 3 1/2 | 25 x 2.75 | 2000 | 157 | 62 | 10 | 25 | 51926 |
| BSA 1/2 M / M 10 x 108 - 116 * | 108 - 116 | 4 | 25 x 2.75 | 2000 | 168 | 67 | 10 | 25 | 51927 |
| BSA 1/2 M / M 10 x 121 - 127 * | 121 - 127 | - | 25 x 2.75 | 2000 | 184 | 71 | 10 | 25 | 51929 |
| BSA 1/2 M / M 10 x 133 - 141 * | 133 - 141 | 5 | 25 x 2.75 | 2000 | 195 | 78 | 10 | 25 | 51930 |
| BSA 1/2 M / M 10 x 159 - 162 * | 159 - 162 | - | 25 x 2.75 | 2000 | 220 | 93 | 10 | 25 | 51932 |

* Closing system provided with 2 closing screws.



BSA 1/2 M+F / M 8/10 Clips

- Similar to the BSA G 1/2" M / M 10 clips, but with a combined G 1/2" M (BSP) / M 8/10 connection + G 1/2" F (BSP) sleeve.



| Type | Ø Pipe | | Strip dimensions [mm] | Max. working load [N] | Dimensions | | | | Order Code |
|------------------------------------|----------------|----------|-----------------------|-----------------------|------------|--------|--------|----|------------|
| | Ext. dia. [mm] | Nom. ["] | | | A [mm] | B [mm] | C [mm] | | |
| BSA 1/2 M+F / M 8/10 x 165 - 168 * | 165 - 168 | 6 | 25 x 2.75 | 2000 | 227 | 97 | 19 | 25 | 39330 |

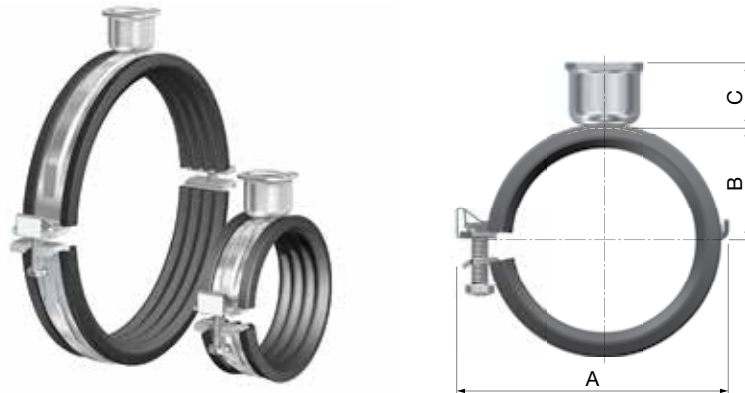
* Closing system provided with 2 closing screws.





BSA 1/2 F Clips

- Similar to the BSA M 8 clips, but with a G 1/2" F (BSP) connection.
- Designed for heavier installations.



| Type | Ø Pipe | | Strip dimensions [mm] | Max. working load [N] | Dimensions | | | | Order Code |
|-------------------------|----------------|----------|-----------------------|-----------------------|------------|--------|--------|----|------------|
| | Ext. dia. [mm] | Nom. ["] | | | A [mm] | B [mm] | C [mm] | | |
| BSA 1/2 F x 17 - 19 | 17 - 19 | 3/8 | 25 x 1.75 | 1300 | 50 | 17 | 23 | 50 | 39222 |
| BSA 1/2 F x 20 - 24 | 20 - 24 | 1/2 | 25 x 1.75 | 1300 | 54 | 19 | 23 | 50 | 39223 |
| BSA 1/2 F x 25 - 28 | 25 - 28 | 3/4 | 25 x 1.75 | 1300 | 59 | 21 | 23 | 50 | 39224 |
| BSA 1/2 F x 33 - 37 | 33 - 37 | 1 | 25 x 1.75 | 1300 | 70 | 27 | 23 | 50 | 39226 |
| BSA 1/2 F x 38 - 42 | 38 - 42 | 1 1/4 | 25 x 1.75 | 1300 | 78 | 31 | 23 | 50 | 39227 |
| BSA 1/2 F x 44,5 - 49 | 44.5 - 49 | 1 1/2 | 25 x 1.75 | 1300 | 83 | 34 | 23 | 50 | 39228 |
| BSA 1/2 F x 56 - 60 | 56 - 60 | 2 | 25 x 1.75 | 1300 | 96 | 40 | 23 | 50 | 39230 |
| BSA 1/2 F x 68 - 73 * | 67 - 73 | - | 25 x 2.75 | 2000 | 126 | 46 | 23 | 25 | 39351 |
| BSA 1/2 F x 75 - 80 * | 75 - 80 | 2 1/2 | 25 x 2.75 | 2000 | 133 | 50 | 23 | 25 | 39352 |
| BSA 1/2 F x 89 - 91 * | 89 - 91 | 3 | 25 x 2.75 | 2000 | 145 | 56 | 23 | 25 | 39354 |
| BSA 1/2 F x 95 - 102 * | 95 - 102 | 3 1/2 | 25 x 2.75 | 2000 | 157 | 62 | 23 | 25 | 39355 |
| BSA 1/2 F x 133 - 141 * | 133 - 141 | 5 | 25 x 2.75 | 2000 | 195 | 78 | 23 | 25 | 39360 |
| BSA 1/2 F x 159 - 162 * | 159 - 162 | - | 25 x 2.75 | 2000 | 220 | 93 | 23 | 25 | 39361 |
| BSA 1/2 F x 165 - 168 * | 165 - 168 | 6 | 25 x 2.75 | 2000 | 227 | 97 | 23 | 25 | 39362 |

* Closing system provided with 2 closing screws.



BSA Clips - Stainless Steel

- Similar to the BSA M 8 clips, but with a combined G 1/2" F (BSP) / M 10 connection and made from stainless steel.
- Stainless steel 316 (1.4401 according to EN 10088).



| Type | Ø Pipe | | Strip dimensions [mm] | Max. working load [N] | | Order Code |
|-------------------|----------|----------------|-----------------------|-----------------------|----|------------|
| | Nom. ["] | Ext. dia. [mm] | | | | |
| BSA 14 - 16 SST | - | 14 - 16 | 25 / 1.75 | 1000 | 50 | 51951 |
| BSA 17 - 19 SST | 3/8" | 17 - 19 | 25 / 1.75 | 1000 | 50 | 51952 |
| BSA 20 - 24 SST | 1/2" | 20 - 24 | 25 / 1.75 | 1000 | 50 | 51953 |
| BSA 25 - 28 SST | 3/4" | 25 - 28 | 25 / 1.75 | 1000 | 50 | 51954 |
| BSA 33 - 37 SST | 1" | 33 - 37 | 25 / 1.75 | 1000 | 50 | 51956 |
| BSA 38 - 42 SST | 1 1/4" | 38 - 42 | 25 / 1.75 | 1000 | 50 | 51957 |
| BSA 44.5 - 49 SST | 1 1/2" | 44.5 - 49 | 25 / 1.75 | 1000 | 50 | 51958 |
| BSA 50 - 54 SST | - | 50 - 54 | 25 / 1.75 | 1000 | 50 | 51959 |
| BSA 56 - 60 SST | 2" | 56 - 60 | 25 / 1.75 | 1000 | 50 | 51960 |
| BSA 62 - 64 SST | - | 62 - 64 | 25 / 2.75 | 1750 | 25 | 51970 |
| BSA 75 - 80 SST | 2 1/2" | 75 - 80 | 25 / 2.75 | 1750 | 25 | 51972 |
| BSA 89 - 91 SST | 3" | 89 - 91 | 25 / 2.75 | 1750 | 25 | 51974 |
| BSA 108 - 116 SST | 4" | 108 - 116 | 25 / 2.75 | 1750 | 25 | 51977 |
| BSA 121 - 127 SST | - | 121 - 127 | 25 / 2.75 | 1750 | 25 | 51979 |
| BSA 159 - 162 SST | - | 159 - 162 | 25 / 2.75 | 1750 | 25 | 51982 |

RSA Clips

RSA clips are rubber lined universal clips designed for heavy duty applications. The thickness of the strip material and the reinforcement ribs make the most rigid assemblies possible.

- With noise suppressing EPDM rubber strip.
- Suitable for temperatures -40 °C to +120 °C.
- Complete and comprehensive range.
- A special combinut with outer and inner thread makes a broad range of applications possible in combination with threaded rods and pipes.
- Clip: Electrolytically zinc-plated.
- Execution:

RSA G ½ M (BSP) / M 10, G ½ M (BSP) / M 12 and G ¾ M (BSP) / M 16:

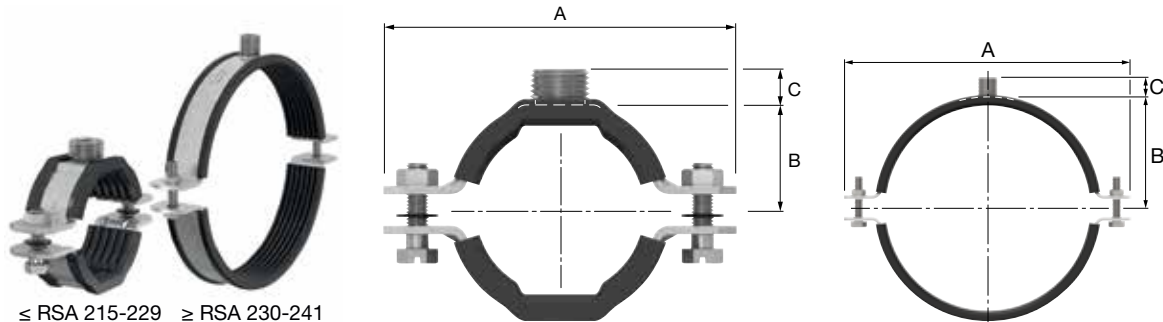
Special welded-on nuts on the clip flanges allow high torque on the fixing bolts and permit heavy loads on the clip whilst easing installation.

Bolts with retaining ring.

The head of the bolt has a slot, a Pozidriv 2 (PZ2) and hexagon for fast installation with a flat or cross-head screwdriver or a spanner.

RSA G ¾ M (BSP) / M 12/16:

Equipped with two hexagon bolts.

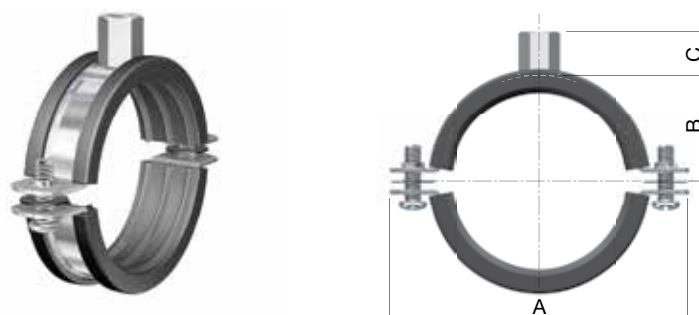


| Type | Ø Pipe | | Strip dimensions [mm] | Connection | Max. working load [N] | Dimensions | | | | Order Code |
|-------------------------------|----------------|-----------|-----------------------|------------------|-----------------------|------------|--------|--------|----|------------|
| | Ext. dia. [mm] | Nom. ["] | | | | A [mm] | B [mm] | C [mm] | | |
| RSA ½ M / M 10 x 13 - 17 | 13 - 17.9 | 1/4 + 3/8 | 30 x 3.0 | G ½" M / M 10 | 4000 | 79 | 14.5 | 12 | 50 | 54301 |
| RSA ½ M / M 10 x 18 - 22 | 18 - 22.9 | 1/2 | 30 x 3.0 | G ½" M / M 10 | 4000 | 84 | 17.0 | 12 | 50 | 54302 |
| RSA ½ M / M 10 x 23 - 27 | 23 - 27.9 | 3/4 | 30 x 3.0 | G ½" M / M 10 | 4000 | 89 | 19.5 | 12 | 50 | 54303 |
| RSA ½ M / M 10 x 28 - 33 | 28 - 33.9 | 1 | 30 x 3.0 | G ½" M / M 10 | 4000 | 95 | 22.5 | 12 | 50 | 54304 |
| RSA ½ M / M 10 x 34 - 38 | 34 - 38.9 | - | 30 x 3.0 | G ½" M / M 10 | 4000 | 100 | 25.0 | 12 | 50 | 54305 |
| RSA ½ M / M 10 x 39 - 43 | 39 - 43.9 | 1 1/4 | 30 x 3.0 | G ½" M / M 10 | 4000 | 105 | 27.5 | 12 | 50 | 54306 |
| RSA ½ M / M 10 x 44 - 49 | 44 - 49.9 | 1 1/2 | 30 x 3.0 | G ½" M / M 10 | 4000 | 111 | 30.5 | 12 | 50 | 54307 |
| RSA ½ M / M 10 x 50 - 55 | 50 - 55.9 | - | 30 x 3.0 | G ½" M / M 10 | 4000 | 117 | 33.5 | 12 | 25 | 54308 |
| RSA ½ M / M 10 x 56 - 62 | 56 - 62.9 | 2 | 30 x 3.0 | G ½" M / M 10 | 4000 | 124 | 37.0 | 12 | 25 | 54309 |
| RSA ½ M / M 10 x 63 - 70 | 63 - 70.9 | - | 30 x 3.0 | G ½" M / M 10 | 4000 | 132 | 41.0 | 12 | 25 | 54310 |
| RSA ½ M / M 10 x 71 - 78 | 71 - 78.9 | 2 1/2 | 30 x 3.0 | G ½" M / M 10 | 4000 | 140 | 45.0 | 12 | 25 | 54311 |
| RSA ½ M / M 10 x 79 - 85 | 79 - 85.9 | - | 40 x 4.0 | G ½" M / M 10 | 5000 | 159 | 49.5 | 12 | 25 | 54312 |
| RSA ½ M / M 10 x 86 - 92 | 86 - 92.9 | 3 | 40 x 4.0 | G ½" M / M 10 | 5000 | 166 | 53.0 | 12 | 25 | 54313 |
| RSA ½ M / M 10 x 93 - 99 | 93 - 99.9 | - | 40 x 4.0 | G ½" M / M 10 | 5000 | 173 | 56.5 | 12 | 25 | 54314 |
| RSA ½ M / M 10 x 100 - 108 | 100 - 108.9 | - | 40 x 4.0 | G ½" M / M 10 | 5000 | 182 | 61.0 | 12 | 20 | 54315 |
| RSA ½ M / M 10 x 109 - 116 | 109 - 116.9 | 4 | 40 x 4.0 | G ½" M / M 10 | 5000 | 190 | 65.0 | 12 | 20 | 54316 |
| RSA ½ M / M 12 x 117 - 124 | 117 - 124.9 | - | 40 x 4.0 | G ½" M / M 12 | 5000 | 198 | 69.0 | 12 | 20 | 54317 |
| RSA ½ M / M 12 x 125 - 133 | 125 - 133.9 | - | 40 x 4.0 | G ½" M / M 12 | 5000 | 207 | 73.5 | 12 | 20 | 54318 |
| RSA ½ M / M 12 x 134 - 142 | 134 - 142.9 | 5 | 40 x 4.0 | G ½" M / M 12 | 5000 | 216 | 78.0 | 12 | 20 | 54319 |
| RSA ½ M / M 12 x 143 - 151 | 143 - 151.9 | - | 40 x 4.0 | G ½" M / M 12 | 5000 | 225 | 82.5 | 12 | 20 | 54320 |
| RSA ½ M / M 12 x 152 - 160 | 152 - 160.9 | - | 40 x 4.0 | G ½" M / M 12 | 5000 | 234 | 87.0 | 12 | 20 | 54321 |
| RSA ½ M / M 12 x 161 - 173 | 161 - 173.9 | 6 | 40 x 4.0 | G ½" M / M 12 | 5000 | 247 | 93.5 | 12 | 20 | 54322 |
| RSA ¾ M / M 16 x 174 - 186 | 174 - 186.9 | - | 40 x 4.0 | G ¾" M / M 16 | 5000 | 260 | 100.0 | 16 | 10 | 54323 |
| RSA ¾ M / M 16 x 187 - 199 | 187 - 199.9 | - | 40 x 4.0 | G ¾" M / M 16 | 5000 | 273 | 106.5 | 16 | 10 | 54324 |
| RSA ¾ M / M 16 x 200 - 214 | 200 - 214.9 | - | 40 x 4.0 | G ¾" M / M 16 | 5000 | 288 | 114.5 | 16 | 10 | 54325 |
| RSA ¾ M / M 16 x 215 - 229 | 215 - 229.9 | 8 | 40 x 4.0 | G ¾" M / M 16 | 5000 | 303 | 121.5 | 16 | 10 | 54326 |
| RSA ¾ M / M 12/16 x 230 - 241 | 230 - 241.9 | - | 50 x 5.0 | G ¾" M / M 12/16 | 9000 | 330 | 133.0 | 26 | 1 | 54327 |
| RSA ¾ M / M 12/16 x 242 - 260 | 242 - 260.9 | - | 50 x 5.0 | G ¾" M / M 12/16 | 9000 | 348 | 142.0 | 26 | 1 | 54328 |
| RSA ¾ M / M 12/16 x 261 - 273 | 261 - 273.9 | 10 | 50 x 5.0 | G ¾" M / M 12/16 | 9000 | 361 | 148.0 | 26 | 1 | 54329 |
| RSA ¾ M / M 12/16 x 274 - 292 | 274 - 292.9 | - | 50 x 5.0 | G ¾" M / M 12/16 | 9000 | 380 | 158.0 | 26 | 1 | 54330 |
| RSA ¾ M / M 12/16 x 293 - 310 | 293 - 310.9 | - | 50 x 5.0 | G ¾" M / M 12/16 | 9000 | 399 | 167.0 | 26 | 1 | 54331 |
| RSA ¾ M / M 12/16 x 311 - 324 | 311 - 324.9 | 12 | 50 x 5.0 | G ¾" M / M 12/16 | 9000 | 412 | 174.0 | 26 | 1 | 54332 |
| RSA ¾ M / M 12/16 x 325 - 343 | 325 - 343.9 | - | 50 x 5.0 | G ¾" M / M 12/16 | 9000 | 431 | 183.0 | 26 | 1 | 54333 |
| RSA ¾ M / M 12/16 x 344 - 356 | 344 - 356.9 | 14 | 50 x 5.0 | G ¾" M / M 12/16 | 9000 | 444 | 190.0 | 26 | 1 | 54334 |
| RSA ¾ M / M 12/16 x 357 - 374 | 357 - 374.9 | - | 50 x 5.0 | G ¾" M / M 12/16 | 9000 | 462 | 199.0 | 26 | 1 | 54335 |
| RSA ¾ M / M 12/16 x 375 - 393 | 375 - 393.9 | - | 50 x 5.0 | G ¾" M / M 12/16 | 9000 | 481 | 208.0 | 26 | 1 | 54336 |
| RSA ¾ M / M 12/16 x 394 - 406 | 394 - 406.9 | 16 | 50 x 5.0 | G ¾" M / M 12/16 | 9000 | 494 | 215.0 | 26 | 1 | 54337 |

BSI M 8/10 Clips

BSI clips are rubber lined universal clips for mounting pipes to the wall or ceiling.

- Close fitting possible.
- Bolt with slot and cross head.
- Noise suppressing rubber lining: 17 dB(A) according to ISO 3822-1.
To achieve maximum sound suppression do not overload the fitting.
- Safety margin for minimal breaking load (V) = 3.
- Clip: Electrolytically zinc-plated.
- Suitable for temperatures -40 °C to +120 °C.
- BSI clips are compatible with pipe sizes according to DIN 2448 and DIN EN 1057.



| Type | Ø Pipe | | Connection | Strip dimensions [mm] | Max. working load [N] | Dimensions | | | | Order Code |
|------------------------|----------------|----------|------------|-----------------------|-----------------------|------------|--------|--------|----|------------|
| | Ext. dia. [mm] | Nom. ["] | | | | A [mm] | B [mm] | C [mm] | | |
| BSI M 8/10 x 8 - 10 | 8 - 10 | 1/8 | M 8/10 | 20 x 1.5 | 1000 | 53 | 13 | 16 | 50 | 39023 |
| BSI M 8/10 x 12 - 14 | 12 - 14 | 1/4 | M 8/10 | 20 x 1.5 | 1000 | 58 | 15 | 16 | 50 | 39000 |
| BSI M 8/10 x 15 - 19 | 15 - 19 | 3/8 | M 8/10 | 20 x 1.5 | 1000 | 62 | 18 | 16 | 50 | 39001 |
| BSI M 8/10 x 20 - 25 | 20 - 25 | 1/2 | M 8/10 | 20 x 1.5 | 1000 | 69 | 21 | 16 | 50 | 39002 |
| BSI M 8/10 x 26 - 30 | 26 - 30 | 3/4 | M 8/10 | 20 x 1.5 | 1000 | 74 | 23 | 16 | 50 | 39003 |
| BSI M 8/10 x 32 - 36 | 32 - 36 | 1 | M 8/10 | 20 x 1.5 | 1000 | 81 | 26 | 16 | 50 | 39004 |
| BSI M 8/10 x 38 - 43 | 38 - 43 | 1 1/4 | M 8/10 | 20 x 1.5 | 1000 | 87 | 30 | 16 | 50 | 39005 |
| BSI M 8/10 x 44 - 49 | 44 - 49 | 1 1/2 | M 8/10 | 20 x 1.5 | 1000 | 94 | 33 | 16 | 50 | 39006 |
| BSI M 8/10 x 50 - 55 | 50 - 55 | 1 3/4 | M 8/10 | 20 x 1.5 | 1000 | 103 | 36 | 16 | 50 | 39007 |
| BSI M 8/10 x 56 - 61 | 56 - 61 | 2 | M 8/10 | 20 x 1.5 | 1000 | 106 | 39 | 16 | 50 | 39008 |
| BSI M 8/10 x 62 - 67 | 62 - 67 | - | M 8/10 | 20 x 2.0 | 1300 | 113 | 42 | 16 | 50 | 39009 |
| BSI M 8/10 x 68 - 73 | 68 - 73 | 2 1/4 | M 8/10 | 20 x 2.0 | 1300 | 123 | 45 | 16 | 50 | 39010 |
| BSI M 8/10 x 75 - 80 | 75 - 80 | 2 1/2 | M 8/10 | 20 x 2.0 | 1300 | 128 | 48 | 16 | 50 | 39011 |
| BSI M 8/10 x 82 - 86 | 82 - 86 | 2 3/4 | M 8/10 | 20 x 2.0 | 1300 | 134 | 51 | 16 | 50 | 39012 |
| BSI M 8/10 x 87 - 92 | 87 - 92 | 3 | M 8/10 | 20 x 2.0 | 1300 | 141 | 54 | 16 | 50 | 39013 |
| BSI M 8/10 x 95 - 102 | 95 - 102 | 3 1/2 | M 8/10 | 20 x 2.5 | 2150 | 158 | 58 | 16 | 50 | 39014 |
| BSI M 8/10 x 108 - 116 | 108 - 116 | 4 | M 8/10 | 20 x 2.5 | 2150 | 170 | 65 | 16 | 25 | 39015 |
| BSI M 8/10 x 121 - 127 | 121 - 127 | - | M 8/10 | 20 x 2.5 | 2150 | 185 | 70 | 16 | 25 | 39016 |
| BSI M 8/10 x 131 - 141 | 131 - 141 | 5 | M 8/10 | 20 x 2.5 | 2150 | 195 | 77 | 16 | 25 | 39017 |
| BSI M 8/10 x 159 - 163 | 159 - 163 | - | M 8/10 | 20 x 2.5 | 2150 | 215 | 88 | 16 | 25 | 39018 |
| BSI M 8/10 x 165 - 169 | 165 - 169 | 6 | M 8/10 | 20 x 2.5 | 2150 | 226 | 91 | 16 | 25 | 39019 |
| BSI M 8/10 x 192 - 202 | 192 - 202 | - | M 8/10 | 20 x 3.0 | 3000 | 265 | 107 | 16 | 25 | 39020 |
| BSI M 8/10 x 210 - 220 | 210 - 220 | 8 | M 8/10 | 20 x 3.0 | 3000 | 274 | 117 | 16 | 25 | 39022 |



BSI M 10/12 Clips

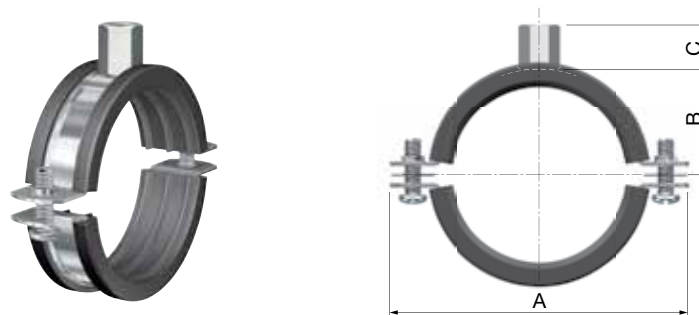
- Similar to the BSA M 8/10 clips, but with a combined M 10/12 connection.


| Type | Ø Pipe | | Connection | Strip dimensions [mm] | Max. working load [N] | Dimensions | | | | Order Code |
|-------------------------|----------------|----------|------------|-----------------------|-----------------------|------------|--------|--------|----|------------|
| | Ext. dia. [mm] | Nom. ["] | | | | A [mm] | B [mm] | C [mm] | | |
| BSI M 10/12 x 108 - 116 | 108 - 116 | 4 | M 10/12 | 20 x 2.5 | 2150 | 170 | 65 | 18 | 25 | 39035 |
| BSI M 10/12 x 131 - 141 | 131 - 141 | 5 | M 10/12 | 20 x 2.5 | 2150 | 195 | 77 | 18 | 25 | 39037 |
| BSI M 10/12 x 159 - 163 | 159 - 163 | - | M 10/12 | 20 x 2.5 | 2150 | 215 | 88 | 18 | 25 | 39038 |
| BSI M 10/12 x 165 - 169 | 165 - 169 | 6 | M 10/12 | 20 x 2.5 | 2150 | 226 | 91 | 18 | 25 | 39039 |
| BSI M 10/12 x 210 - 220 | 210 - 220 | 8 | M 10/12 | 20 x 3.0 | 3000 | 274 | 117 | 18 | 25 | 39034 |



BSI-WH M 8/10 Clips

- Bolt with slot and cross head.
- Noise suppressing rubber lining: 17 dB(A) according to ISO 3822-1.
To achieve maximum sound suppression do not overload the fitting.
- Clip: Electrolytically zinc-plated.
- Suitable for temperatures -40 °C to +120 °C.



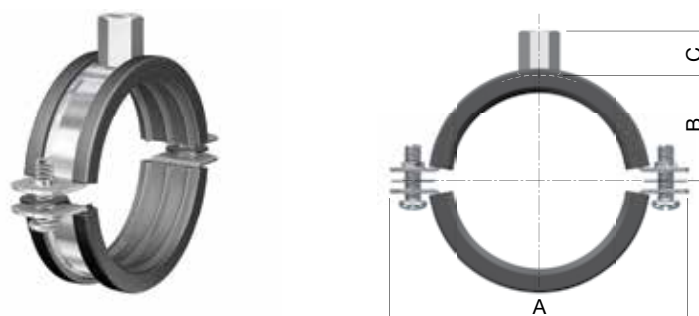
| Type | Ø Pipe | | Connection | Strip dimensions [mm] | Max. working load [N] | Dimensions | | |  | Order Code |
|---------------------------|----------------|----------|------------|-----------------------|-----------------------|------------|--------|--------|---|------------|
| | Ext. dia. [mm] | Nom. ["] | | | | A [mm] | B [mm] | C [mm] | | |
| BSI-WH M 8/10 x 12 - 14 | 12 - 14 | 1/4 | M 8/10 | 20 x 1.5 | 600 | 58 | 15 | 16 | 50 | 39025 |
| BSI-WH M 8/10 x 15 - 19 | 15 - 19 | 3/8 | M 8/10 | 20 x 1.5 | 600 | 62 | 18 | 16 | 50 | 39026 |
| BSI-WH M 8/10 x 20 - 25 | 20 - 25 | 1/2 | M 8/10 | 20 x 1.5 | 600 | 69 | 21 | 16 | 50 | 39027 |
| BSI-WH M 8/10 x 26 - 30 | 26 - 30 | 3/4 | M 8/10 | 20 x 1.5 | 600 | 74 | 23 | 16 | 50 | 39028 |
| BSI-WH M 8/10 x 32 - 36 | 32 - 36 | 1 | M 8/10 | 20 x 1.5 | 600 | 81 | 26 | 16 | 50 | 39029 |
| BSI-WH M 8/10 x 38 - 43 | 38 - 43 | 1 1/4 | M 8/10 | 20 x 1.5 | 600 | 87 | 30 | 16 | 50 | 39030 |
| BSI-WH M 8/10 x 44 - 49 | 44 - 49 | 1 1/2 | M 8/10 | 20 x 1.5 | 600 | 94 | 33 | 16 | 50 | 39031 |
| BSI-WH M 8/10 x 50 - 55 | 50 - 55 | - | M 8/10 | 20 x 1.5 | 600 | 103 | 36 | 16 | 50 | 39032 |
| BSI-WH M 8/10 x 56 - 61 | 56 - 61 | 2 | M 8/10 | 20 x 1.5 | 600 | 106 | 39 | 16 | 50 | 39033 |
| BSI-WH M 8/10 x 62 - 67 | 62 - 67 | - | M 8/10 | 20 x 2.0 | 1000 | 113 | 42 | 16 | 50 | 38930 |
| BSI-WH M 8/10 x 68 - 73 | 68 - 73 | 2 1/4 | M 8/10 | 20 x 2.0 | 1000 | 123 | 45 | 16 | 50 | 38931 |
| BSI-WH M 8/10 x 75 - 80 | 75 - 80 | 2 1/2 | M 8/10 | 20 x 2.0 | 1000 | 128 | 48 | 16 | 50 | 38932 |
| BSI-WH M 8/10 x 82 - 86 | 82 - 86 | 2 3/4 | M 8/10 | 20 x 2.0 | 1000 | 134 | 51 | 16 | 50 | 38933 |
| BSI-WH M 8/10 x 87 - 92 | 87 - 92 | 3 | M 8/10 | 20 x 2.0 | 1000 | 141 | 54 | 16 | 50 | 38934 |
| BSI-WH M 8/10 x 95 - 102 | 95 - 102 | 3 1/2 | M 8/10 | 20 x 2.5 | 1000 | 158 | 58 | 16 | 50 | 38935 |
| BSI-WH M 8/10 x 108 - 116 | 108 - 116 | 4 | M 8/10 | 20 x 2.5 | 1000 | 170 | 65 | 16 | 25 | 38936 |



BSI-HDI M 8/10 Clips

BSI-HDI clips are rubber lined, hot dip galvanized universal clips for mounting pipes to the wall or ceiling.

- The clip has one or more strengthening ribs to achieve a strong working load.
- Close fitting possible.
- Stainless steel bolts with slot and cross head and retaining ring.
- Noise-suppressing rubber strip: 17 dB(A) according to ISO 3822-1.
To achieve maximum sound suppression do not overload the fitting.
- Safety margin for minimal breaking load (V) = 3.
- Clip: hot dip galvanizing average > 55µm, min 45 µm.
- Suitable for temperatures -40 °C to +120 °C.
- BSI-HDI clips are compatible with pipe sizes according to DIN 2448 and DIN EN 1057.

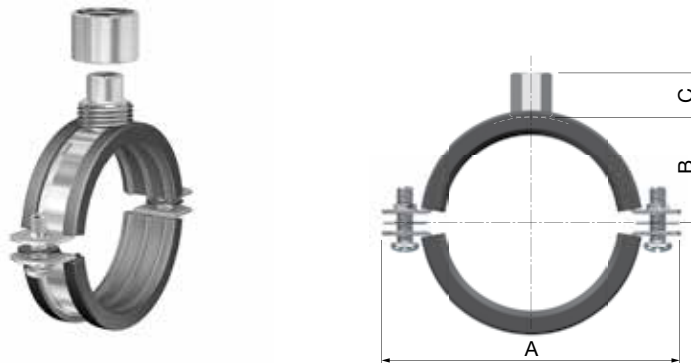


| Type | Ø Pipe | | Connection | Strip dimensions [mm] | Max. working load [N] | Dimensions | | | | Order Code |
|----------------------------|----------------|----------|------------|-----------------------|-----------------------|------------|--------|--------|----|------------|
| | Ext. dia. [mm] | Nom. ["] | | | | A [mm] | B [mm] | C [mm] | | |
| BSI-HDI M 8/10 x 8 - 10 | 8 - 10 | 1/8 | M 8/10 | 20 x 1.5 | 1000 | 53 | 13 | 16 | 50 | 38570 |
| BSI-HDI M 8/10 x 12 - 14 | 12 - 14 | 1/4 | M 8/10 | 20 x 1.5 | 1000 | 58 | 15 | 16 | 50 | 38571 |
| BSI-HDI M 8/10 x 15 - 19 | 15 - 19 | 3/8 | M 8/10 | 20 x 1.5 | 1000 | 62 | 18 | 16 | 50 | 38572 |
| BSI-HDI M 8/10 x 20 - 25 | 20 - 25 | 1/2 | M 8/10 | 20 x 1.5 | 1000 | 69 | 21 | 16 | 50 | 38573 |
| BSI-HDI M 8/10 x 26 - 30 | 26 - 30 | 3/4 | M 8/10 | 20 x 1.5 | 1000 | 74 | 23 | 16 | 50 | 38574 |
| BSI-HDI M 8/10 x 32 - 36 | 32 - 36 | 1 | M 8/10 | 20 x 1.5 | 1000 | 81 | 26 | 16 | 50 | 38575 |
| BSI-HDI M 8/10 x 38 - 43 | 38 - 43 | 1 1/4 | M 8/10 | 20 x 1.5 | 1000 | 87 | 30 | 16 | 50 | 38576 |
| BSI-HDI M 8/10 x 44 - 49 | 44 - 49 | 1 1/2 | M 8/10 | 20 x 1.5 | 1000 | 94 | 33 | 16 | 50 | 38577 |
| BSI-HDI M 8/10 x 50 - 55 | 50 - 55 | - | M 8/10 | 20 x 1.5 | 1000 | 103 | 36 | 16 | 50 | 38578 |
| BSI-HDI M 8/10 x 56 - 61 | 56 - 61 | 2 | M 8/10 | 20 x 1.5 | 1000 | 106 | 39 | 16 | 50 | 38579 |
| BSI-HDI M 8/10 x 62 - 67 | 62 - 67 | - | M 8/10 | 20 x 2.0 | 1300 | 113 | 42 | 16 | 50 | 38580 |
| BSI-HDI M 8/10 x 68 - 73 | 68 - 73 | 2 1/4 | M 8/10 | 20 x 2.0 | 1300 | 123 | 45 | 16 | 50 | 38581 |
| BSI-HDI M 8/10 x 75 - 80 | 75 - 80 | 2 1/2 | M 8/10 | 20 x 2.0 | 1300 | 128 | 48 | 16 | 50 | 38582 |
| BSI-HDI M 8/10 x 82 - 86 | 82 - 86 | 2 3/4 | M 8/10 | 20 x 2.0 | 1300 | 134 | 51 | 16 | 50 | 38583 |
| BSI-HDI M 8/10 x 87 - 92 | 87 - 92 | 3 | M 8/10 | 20 x 2.0 | 1300 | 141 | 54 | 16 | 50 | 38584 |
| BSI-HDI M 8/10 x 95 - 102 | 95 - 102 | 3 1/2 | M 8/10 | 20 x 2.5 | 2150 | 158 | 58 | 16 | 50 | 38585 |
| BSI-HDI M 8/10 x 108 - 116 | 108 - 116 | 4 | M 8/10 | 20 x 2.5 | 2150 | 170 | 65 | 16 | 25 | 38586 |
| BSI-HDI M 8/10 x 121 - 127 | 121 - 127 | - | M 8/10 | 20 x 2.5 | 2150 | 185 | 70 | 16 | 25 | 38587 |
| BSI-HDI M 8/10 x 131 - 141 | 131 - 141 | 5 | M 8/10 | 20 x 2.5 | 2150 | 195 | 77 | 16 | 25 | 38588 |
| BSI-HDI M 8/10 x 159 - 163 | 159 - 163 | - | M 8/10 | 20 x 2.5 | 2150 | 215 | 88 | 16 | 25 | 38589 |
| BSI-HDI M 8/10 x 165 - 169 | 165 - 169 | 6 | M 8/10 | 20 x 2.5 | 2150 | 226 | 91 | 16 | 25 | 38590 |
| BSI-HDI M 8/10 x 192 - 202 | 192 - 202 | - | M 8/10 | 20 x 3.0 | 3000 | 265 | 107 | 16 | 25 | 38591 |
| BSI-HDI M 8/10 x 210 - 220 | 210 - 220 | 8 | M 8/10 | 20 x 3.0 | 3000 | 274 | 117 | 16 | 25 | 38592 |

BSI 1/2" / M 8/10 clips

BSI clips are universal clips with rubber strips for mounting pipes to the wall or ceiling.

- Close fitting possible.
- Bolt with slot and cross head.
- Noise-suppressing rubber strip: 17 dB(A) according to ISO 3822-1.
To achieve maximum sound suppression do not overload the fitting.
- Safety margin for min. breaking load (V) = 3.
- Clip: electrolytically zinc-plated.
- Suitable for temperatures -40 °C to +120 °C.
- BSI clips are compatible with pipe sizes according to DIN 2448 and DIN EN 1057.



| Type | Ø Pipe | | Connection | Strip dimensions [mm] | Max. working load [N] | Dimensions | | | ISO | Order Code |
|-----------------------------------|----------------|----------|--------------------------|-----------------------|-----------------------|------------|--------|--------|-----|------------|
| | Ext. dia. [mm] | Nom. ["] | | | | A [mm] | B [mm] | C [mm] | | |
| BSI 1/2" M+F / M 8/10 x 12 - 14 | 12 - 14 | 1/4 | G 1/2" M / M 8/10 + 1/2" | 20 x 1.5 | 1000 | 58 | 15 | 20.5 | 50 | 59000 |
| BSI 1/2" M+F / M 8/10 x 15 - 19 | 15 - 19 | 3/8 | G 1/2" M / M 8/10 + 1/2" | 20 x 1.5 | 1000 | 62 | 18 | 20.5 | 50 | 59001 |
| BSI 1/2" M+F / M 8/10 x 20 - 25 | 20 - 25 | 1/2 | G 1/2" M / M 8/10 + 1/2" | 20 x 1.5 | 1000 | 69 | 21 | 20.5 | 50 | 59002 |
| BSI 1/2" M+F / M 8/10 x 26 - 30 | 26 - 30 | 3/4 | G 1/2" M / M 8/10 + 1/2" | 20 x 1.5 | 1000 | 74 | 23 | 20.5 | 50 | 59003 |
| BSI 1/2" M+F / M 8/10 x 32 - 36 | 32 - 36 | 1 | G 1/2" M / M 8/10 + 1/2" | 20 x 1.5 | 1000 | 81 | 26 | 20.5 | 50 | 59004 |
| BSI 1/2" M+F / M 8/10 x 38 - 43 | 38 - 43 | 1 1/4 | G 1/2" M / M 8/10 + 1/2" | 20 x 1.5 | 1000 | 81 | 26 | 20.5 | 50 | 59005 |
| BSI 1/2" M+F / M 8/10 x 44 - 49 | 44 - 49 | 1 1/2 | G 1/2" M / M 8/10 + 1/2" | 20 x 1.5 | 1000 | 94 | 33 | 20.5 | 50 | 59006 |
| BSI 1/2" M+F / M 8/10 x 50 - 55 | 50 - 55 | 1 3/4 | G 1/2" M / M 8/10 + 1/2" | 20 x 1.5 | 1000 | 103 | 36 | 20.5 | 50 | 59007 |
| BSI 1/2" M+F / M 8/10 x 56 - 61 | 56 - 61 | 2 | G 1/2" M / M 8/10 + 1/2" | 20 x 1.5 | 1000 | 106 | 39 | 20.5 | 50 | 59008 |
| BSI 1/2" M+F / M 8/10 x 62 - 67 | 62 - 67 | - | G 1/2" M / M 8/10 + 1/2" | 20 x 2.0 | 1300 | 113 | 42 | 20.5 | 50 | 59009 |
| BSI 1/2" M+F / M 8/10 x 68 - 73 | 68 - 73 | 2 1/4 | G 1/2" M / M 8/10 + 1/2" | 20 x 2.0 | 1300 | 123 | 45 | 20.5 | 50 | 59010 |
| BSI 1/2" M+F / M 8/10 x 75 - 80 | 75 - 80 | 2 1/2 | G 1/2" M / M 8/10 + 1/2" | 20 x 2.0 | 1300 | 128 | 48 | 20.5 | 50 | 59011 |
| BSI 1/2" M+F / M 8/10 x 82 - 86 | 82 - 86 | 2 3/4 | G 1/2" M / M 8/10 + 1/2" | 20 x 2.0 | 1300 | 134 | 51 | 20.5 | 50 | 59012 |
| BSI 1/2" M+F / M 8/10 x 87 - 92 | 87 - 92 | 3 | G 1/2" M / M 8/10 + 1/2" | 20 x 2.0 | 1300 | 134 | 51 | 20.5 | 50 | 59013 |
| BSI 1/2" M+F / M 8/10 x 95 - 102 | 95 - 102 | 3 1/2 | G 1/2" M / M 8/10 + 1/2" | 20 x 2.5 | 2150 | 158 | 58 | 20.5 | 50 | 59014 |
| BSI 1/2" M+F / M 8/10 x 108 - 116 | 108 - 116 | 4 | G 1/2" M / M 8/10 + 1/2" | 20 x 2.5 | 2150 | 170 | 65 | 20.5 | 25 | 59015 |
| BSI 1/2" M+F / M 8/10 x 121 - 127 | 121 - 127 | - | G 1/2" M / M 8/10 + 1/2" | 20 x 2.5 | 2150 | 185 | 70 | 20.5 | 25 | 59016 |
| BSI 1/2" M+F / M 8/10 x 131 - 141 | 131 - 141 | 5 | G 1/2" M / M 8/10 + 1/2" | 20 x 2.5 | 2150 | 195 | 77 | 20.5 | 25 | 59017 |
| BSI 1/2" M+F / M 8/10 x 159 - 163 | 159 - 163 | - | G 1/2" M / M 8/10 + 1/2" | 20 x 2.5 | 2150 | 215 | 88 | 20.5 | 25 | 59018 |
| BSI 1/2" M+F / M 8/10 x 192 - 202 | 192 - 202 | - | G 1/2" M / M 8/10 + 1/2" | 20 x 3.0 | 3000 | 265 | 107 | 20.5 | 25 | 59020 |

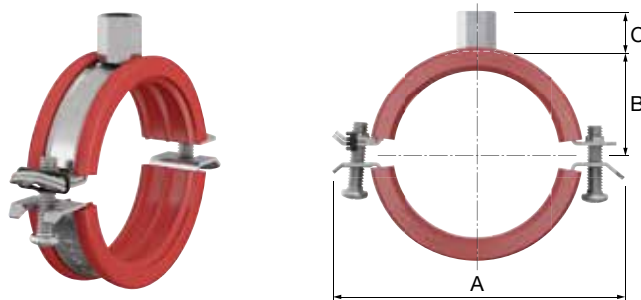





BSM-S Clips

BSM-S clips are silicon rubber lined universal clips for use in high temperature applications and usable for vertical and horizontal mounting.

- Suitable for temperatures -60 °C to +250 °C.
- Large clamping capacity (2 bolts).
- Quick closing facility and turnable underneath the pipe.
- Inlay with better gliding properties.
- Screws are secured for turning out (vibration/shaking).
- Noise suppression: 17 dB(A) according to ISO 3822-1.
To achieve maximum sound suppression do not overload the fitting.
- Clip: Electrolytically zinc-plated.
- Connection: M 8/10.




| Type | Ø Pipe | | Strip dimensions [mm] | Max. working load [N] | Dimensions | | |  | Order Code |
|---------------------------------|----------------|----------|-----------------------|-----------------------|------------|--------|--------|---|------------|
| | Ext. dia. [mm] | Nom. ["] | | | A [mm] | B [mm] | C [mm] | | |
| BSM-S M 8/10 x 12 - 14 | 12 - 14 | 1/4 | 1.5 x 20 | 1000 | 60 | 15.0 | 14 | 50 | 38300 |
| BSM-S M 8/10 x 15 - 18 | 15 - 18 | 3/8 | 1.5 x 20 | 1000 | 64 | 17.0 | 14 | 50 | 38301 |
| BSM-S M 8/10 x 19 - 22 | 19 - 22 | 1/2 | 1.5 x 20 | 1000 | 68 | 19.0 | 14 | 50 | 38302 |
| BSM-S M 8/10 x 23 - 26 | 23 - 26 | - | 1.5 x 20 | 1000 | 72 | 21.0 | 14 | 50 | 38303 |
| BSM-S M 8/10 x 27 - 30 | 27 - 30 | 3/4 | 1.5 x 20 | 1000 | 76 | 23.0 | 14 | 50 | 38304 |
| BSM-S M 8/10 x 32 - 35 | 32 - 35 | 1 | 1.5 x 20 | 1000 | 81 | 25.5 | 14 | 50 | 38305 |
| BSM-S M 8/10 x 36 - 39 | 36 - 39 | - | 1.5 x 20 | 1000 | 85 | 27.5 | 14 | 50 | 38306 |
| BSM-S M 8/10 x 40 - 44,5 | 40 - 44.5 | 1 1/4 | 1.5 x 20 | 1000 | 90 | 30.0 | 14 | 50 | 38307 |
| BSM-S M 8/10 x 48 - 52 | 48 - 52 | 1 1/2 | 1.5 x 20 | 1000 | 98 | 34.0 | 14 | 50 | 38308 |
| BSM-S M 8/10 x 54 - 58 | 54 - 58 | 1 3/4 | 1.5 x 20 | 1000 | 104 | 37.0 | 14 | 50 | 38309 |
| BSM-S M 8/10 x 58 - 61 | 58 - 61 | 2 | 1.5 x 20 | 1000 | 107 | 38.5 | 14 | 50 | 38310 |
| BSM-S M 8/10 x 63 - 67 | 63 - 67 | - | 2.0 x 20 | 1300 | 113 | 41.5 | 14 | 50 | 38311 |
| BSM-S M 8/10 x 75 - 80 | 75 - 80 | 2 1/2 | 2.0 x 20 | 1300 | 126 | 48.0 | 14 | 50 | 38313 |
| BSM-S M 8/10 x 88 - 92 | 88 - 92 | 3 | 2.0 x 20 | 1300 | 138 | 54.0 | 14 | 50 | 38315 |
| BSM-S M 8/10 x 108 - 116 | 108 - 116 | 4 | 2.5 x 20 | 1300 | 162 | 66.0 | 14 | 25 | 38317 |
| BSM-S M 8/10 x 121 - 127 | 121 - 127 | - | 2.5 x 20 | 1300 | 173 | 71.5 | 14 | 25 | 38318 |

BRS-A Clips - Stainless Steel

Stainless steel universal clips with rubber strips for mounting pipes to the wall or ceiling.

- Stainless steel 316 (1.4401 according to EN 10088).
- Suitable for short-distance mounting.
- With noise-suppressing rubber strip.
To achieve maximum sound suppression do not overload the fitting.
- Safety margin for minimal breaking load (V) = 3.
- Connection: M 8/10.



| Type | Ø Pipe | | Strip dimensions [mm] | Max. working load [N] |  | Order Code |
|---------------------|----------|----------------|-----------------------|-----------------------|---|------------|
| | Nom. ["] | Ext. dia. [mm] | | | | |
| BRS-A 8 - 10 SST | 1/8" | 8 - 10 | 20 / 1.5 | 1000 | 50 | 38450 |
| BRS-A 12 - 14 SST | 1/4" | 12 - 14 | 20 / 1.5 | 1000 | 50 | 38451 |
| BRS-A 15 - 19 SST | 3/8" | 15 - 19 | 20 / 1.5 | 1000 | 50 | 38452 |
| BRS-A 20 - 25 SST | 1/2" | 20 - 25 | 20 / 1.5 | 1000 | 50 | 38453 |
| BRS-A 26 - 30 SST | 3/4" | 26 - 30 | 20 / 1.5 | 1000 | 50 | 38454 |
| BRS-A 32 - 36 SST | 1" | 32 - 36 | 20 / 1.5 | 1000 | 50 | 38455 |
| BRS-A 38 - 43 SST | 1 1/4" | 38 - 43 | 20 / 1.5 | 1000 | 50 | 38456 |
| BRS-A 44 - 49 SST | 1 1/2" | 44 - 49 | 20 / 1.5 | 1000 | 50 | 38457 |
| BRS-A 50 - 55 SST | 1 3/4" | 50 - 55 | 20 / 1.5 | 1000 | 50 | 38458 |
| BRS-A 56 - 61 SST | 2" | 56 - 61 | 20 / 1.5 | 1000 | 50 | 38459 |
| BRS-A 62 - 67 SST | – | 62 - 67 | 20 / 2.0 | 1300 | 50 | 38460 |
| BRS-A 68 - 73 SST | 2 1/4" | 67 - 73 | 20 / 2.0 | 1300 | 50 | 38461 |
| BRS-A 75 - 80 SST | 2 1/2" | 75 - 80 | 20 / 2.0 | 1300 | 50 | 38462 |
| BRS-A 82 - 86 SST | 2 3/4" | 82 - 86 | 20 / 2.0 | 1300 | 50 | 38463 |
| BRS-A 87 - 92 SST | 3" | 87 - 92 | 20 / 2.0 | 1300 | 50 | 38464 |
| BRS-A 95 - 102 SST | 3 1/2" | 95 - 102 | 20 / 2.5 | 2150 | 50 | 38465 |
| BRS-A 108 - 116 SST | 4" | 108 - 116 | 20 / 2.5 | 2150 | 25 | 38466 |
| BRS-A 121 - 127 SST | – | 121 - 127 | 20 / 2.5 | 2150 | 25 | 38467 |
| BRS-A 131 - 141 SST | 5" | 131 - 141 | 20 / 2.5 | 2150 | 25 | 38468 |
| BRS-A 159 - 163 SST | – | 159 - 163 | 20 / 2.5 | 2150 | 25 | 38469 |
| BRS-A 165 - 169 SST | 6" | 165 - 169 | 20 / 2.5 | 2150 | 25 | 38470 |
| BRS-A 192 - 202 SST | – | 192 - 202 | 20 / 3.0 | 2150 | 25 | 38471 |
| BRS-A 210 - 220 SST | 8" | 210 - 220 | 20 / 3.0 | 2150 | 25 | 38473 |

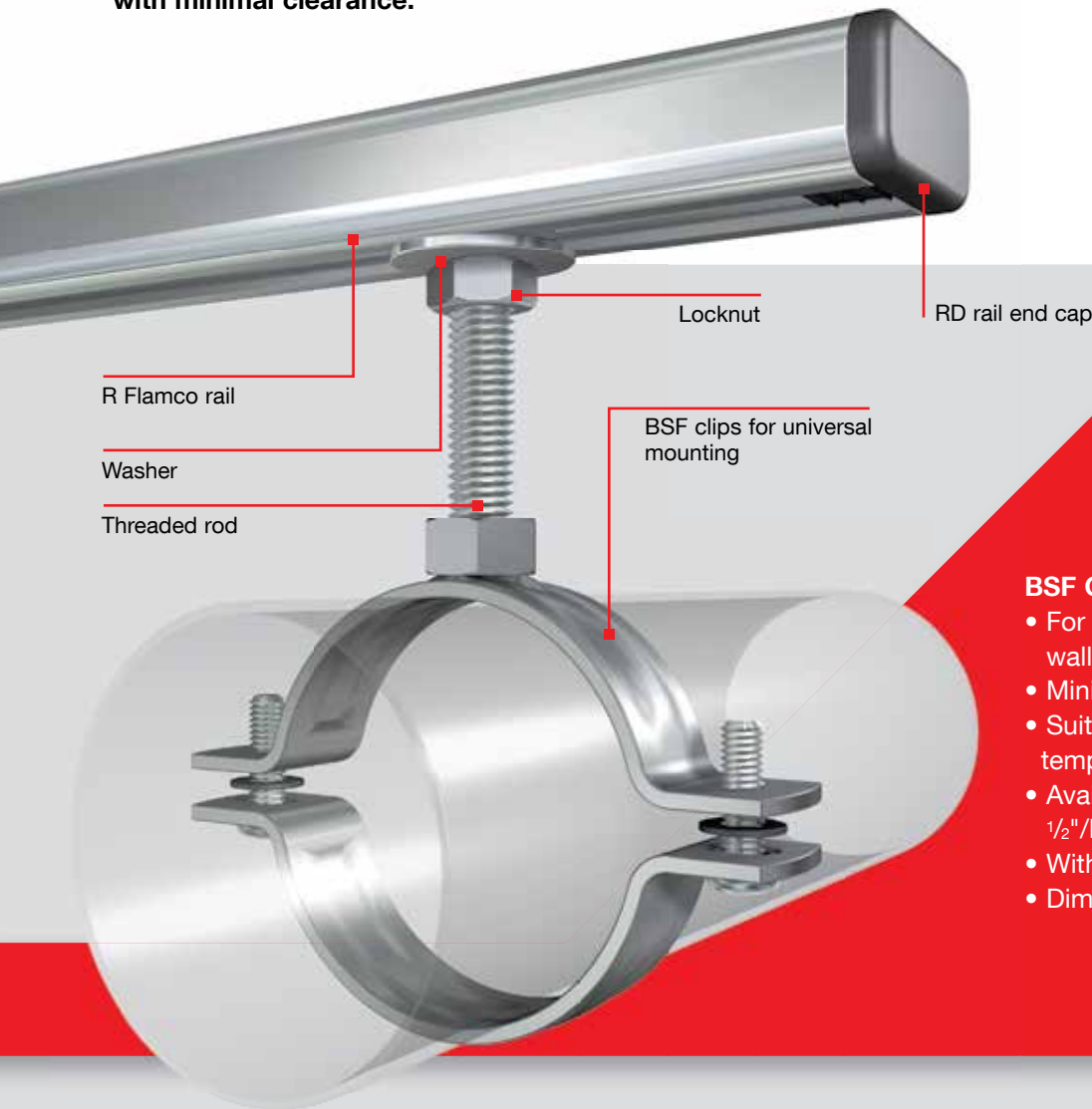


Clips Without Rubber Lining and Other Types of Clips

Flamco's extensive clip range contains a series of clips without rubber lining. BSF clips are available in a wide range of connections and dimensions from 3/8" - 8" and allow installation in situations with minimal clearance.

In addition we supply clips for all kinds of pipe, such as fixed point structures, clips for copper pipes, heavy duty pipes etc..

In our range, you will find just the clip you need.



BSF

BSF Clips

- For horizontal or vertical fitting to walls or ceilings.
- Minimal clearance.
- Suitable for heavy duty loading and temperatures.
- Available with M 8, M 10, M 12, 1/2" or 1/2"/M 10 connection.
- With no retaining ring.
- Dimensions ranging from 3/8" to 8".

BSK clips

- Dedicated clips for plastic pipes
- Excellent low friction properties due to shallow ribbing.
- Transformable from sliding to clamping with easily removable spacer.
- Fast assembly thanks to the patented click-spring locking system.



BSK-I clips

- Dedicated clips for plastic pipes with special TPE (ThermoPlastic Elastomer) lining.
- Noise reduction: 20 dB(A) with spacer, 18 dB(A) without spacer.



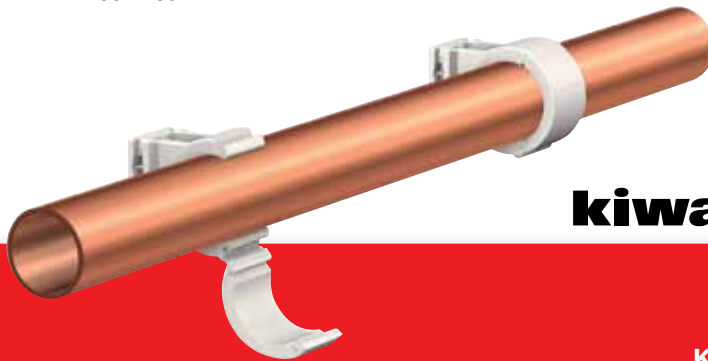
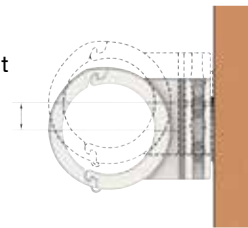


VARIOFIT

Variofit Clips

- For mounting copper or thin-wall steel pipes, or for use in all Flamco rails.
- Hinged 'click' connection with equal centre to centre distance for the Variofit 12 – 15 and 22 – 28.
- KIWA certified.

With a brass lock nut adjustable to approx. 5 mm.



kiwa



UB

UB U- bolts

- Heavy duty clip for attaching steel pipes direct to a Flamco rail or other surface.
- Threaded connections from M 6 to M 16.
- Dimensions ranging from 3/8" to 16".
- Four nuts included.



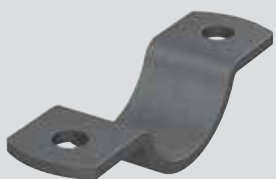
KS

KS Clips

- For horizontal or vertical fitting of copper pipes.
- Single and double format.
- Quick assembly and installation
- Suppression of noise due to high quality polypropylene material.
- Available in white and chrome.



KSD



KB

KB Clips

- Suitable for fixed point constructions.
- Suitable for very high loads.
- Specially for mounting heavy pipes e.g. rising mains.





FOR COPPER AND THIN-WALLED STEEL PIPES

Variofit Clips - M 6

Variofit nylon clips are especially designed for mounting copper and thin-walled steel pipes to the wall or ceiling. Variofit clips can be secured using an M 6 rod or with wood screws with heads up to 7 mm and can be mounted using Flamco R 1 to R 8 rails. The ring on the bottom prevents damage to the wall during fitting.

- Adjustable brass fixing nut (movement: +/- 5 mm).
- Hinged snap fastening.
- Suitable for temperatures up to 90 °C.
- Pre-assembly of pipe is possible.
- Variofit clips are compatible with pipe sizes as per DIN EN 1057.




| Type | Ø Pipe ext. dia. [mm] | Minimum pull-out force | | Dimensions H [mm] | | Order Code |
|--------------------|-----------------------|------------------------|----------------|-------------------|-----|------------|
| | | Cap open [N] | Cap closed [N] | | | |
| Variofit 12 | 12 | 100 | 500 | 20 | 500 | 15112 |
| Variofit 15 | 15 | 100 | 500 | 20 | 500 | 15115 |
| Variofit 22 | 22 | 100 | 700 | 25 | 250 | 15122 |
| Variofit 28 | 28 | 100 | 700 | 25 | 250 | 15128 |

KS Clips - M 6

For horizontal or vertical fitting of copper, thin-walled or copper pipes.

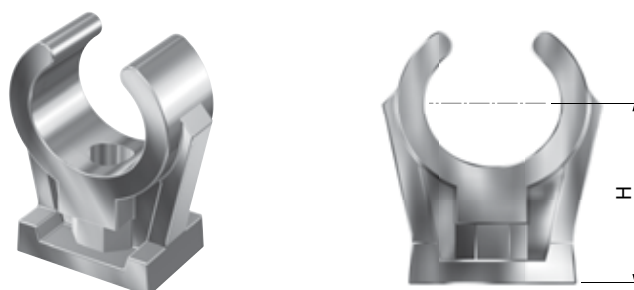
- Fast mounting.
- High quality polypropylene material provides excellent noise damping.
- With brass nut with M 6 connection.
- Suitable for temperatures -30 °C to +120 °C.




| Type | Ø Pipe ext. dia. [mm] | Dimensions H [mm] |  | Order Code |
|-------|-----------------------|-------------------|---|------------|
| KS 8 | 8 | 12 | 100 | 62308 |
| KS 10 | 10 | 16 | 100 | 62310 |
| KS 12 | 12 | 17 | 100 | 62312 |
| KS 15 | 15 | 18 | 100 | 62315 |
| KS 18 | 18 | 23 | 100 | 62318 |
| KS 22 | 22 | 26 | 100 | 62322 |
| KS 24 | 24 | 31 | 100 | 62324 |
| KS 28 | 28 | 33 | 25 | 62328 |
| KS 35 | 35 | 38 | 25 | 62335 |
| KS 42 | 42 | 42 | 25 | 62342 |

KSC Clips - M 6

Similar to the KS clips, but chromium plated.

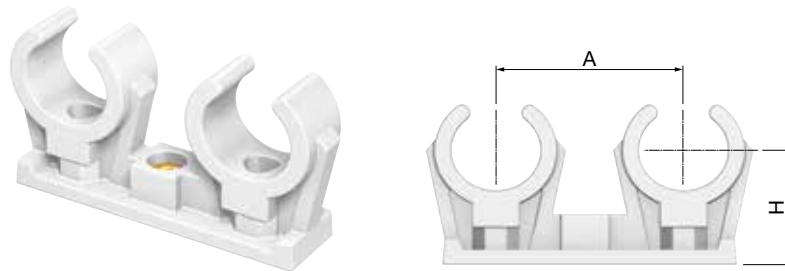



| Type | Ø Pipe ext. dia. [mm] | Dimensions H [mm] |  | Order Code |
|--------|-----------------------|-------------------|---|------------|
| KSC 10 | 10 | 16 | 100 | 62360 |
| KSC 12 | 12 | 17 | 100 | 62362 |
| KSC 15 | 15 | 18 | 100 | 62365 |



KSD Clips - M 6

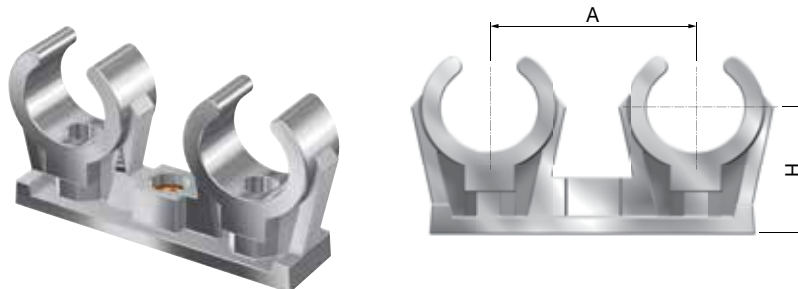
Similar to the KS clip, but a double format.




| Type | Ø Pipe ext. dia. [mm] | Dimensions | |  | Order Code |
|---------------|-----------------------|------------|--------|---|------------|
| | | A [mm] | H [mm] | | |
| KSD 8 | 8 | 23 | 15 | 50 | 62408 |
| KSD 10 | 10 | 29 | 16 | 50 | 62410 |
| KSD 12 | 12 | 33 | 17 | 50 | 62412 |
| KSD 15 | 15 | 35 | 18 | 50 | 62415 |
| KSD 18 | 18 | 38 | 23 | 50 | 62418 |
| KSD 22 | 22 | 43 | 26 | 50 | 62422 |
| KSD 28 | 28 | 53 | 33 | 25 | 62428 |

KSDC Clips - M 6

Similar to the KSC clip, but a double format.



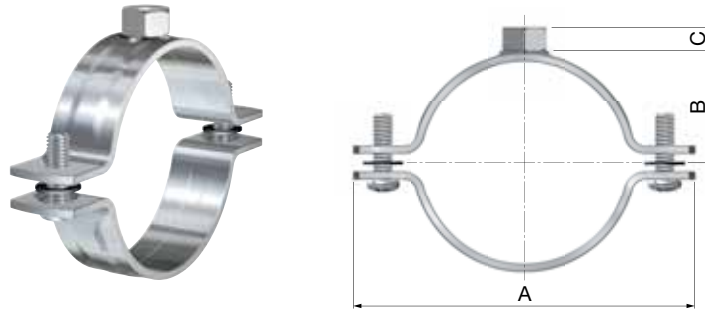
| Type | Ø Pipe ext. dia. [mm] | Dimensions | |  | Order Code |
|----------------|-----------------------|------------|--------|---|------------|
| | | A [mm] | H [mm] | | |
| KSDC 10 | 10 | 29 | 16 | 50 | 62460 |
| KSDC 12 | 12 | 33 | 17 | 50 | 62462 |
| KSDC 15 | 15 | 35 | 18 | 50 | 62465 |

FOR STEEL PIPES

BSF M 8 Clips

BSF clips are designed for mounting steel pipes to the wall or ceiling.

- Close fitting possible.
- Suitable for high loads and temperatures.
- With retaining ring.
- BSF clips are compatible with pipe sizes as per DIN 2448.
- Clip: Electrolytically zinc-plated.



| Type | Ø Pipe | | Connection | Strip dimensions [mm] | Max. working load [N] | Dimensions | | | | Order Code |
|-------------------------|----------------|----------|------------|-----------------------|-----------------------|------------|--------|--------|-----|------------|
| | Ext. dia. [mm] | Nom. ["] | | | | A [mm] | B [mm] | C [mm] | | |
| BSF M 8 x 13 - 17.5 | 13 - 17.5 | 3/8 | M 8 | 20 x 2.5 | 2000 | 53 | 11 | 8 | 100 | 38701 |
| BSF M 8 x 21 - 25.5 | 21 - 25.5 | 1/2 | M 8 | 20 x 2.5 | 2000 | 61 | 15 | 8 | 100 | 38702 |
| BSF M 8 x 26.5 - 30.5 | 26.5 - 30.5 | 3/4 | M 8 | 20 x 2.5 | 2000 | 68 | 18 | 8 | 100 | 38703 |
| BSF M 8 x 33.5 - 38.5 | 33.5 - 38.5 | 1 | M 8 | 20 x 2.5 | 2000 | 76 | 22 | 8 | 100 | 38704 |
| BSF M 8 x 41.5 - 47 | 41.5 - 47 | 1 1/4 | M 8 | 20 x 2.5 | 2000 | 86 | 26 | 8 | 100 | 38705 |
| BSF M 8 x 48 - 54 | 48 - 54 | 1 1/2 | M 8 | 20 x 2.5 | 2000 | 95 | 32 | 8 | 50 | 38706 |
| BSF M 8 x 56 - 62.5 | 56 - 62.5 | 2 | M 8 | 20 x 2.5 | 2000 | 104 | 34 | 8 | 50 | 38707 |
| BSF M 8 x 62.5 - 69.5 | 62.5 - 69.5 | - | M 8 | 20 x 2.5 | 2000 | 111 | 37 | 8 | 50 | 38788 |
| BSF M 8 x 69.5 - 76.5 | 69.5 - 76.5 | 2 1/2 | M 8 | 20 x 2.5 | 2000 | 118 | 41 | 8 | 50 | 38789 |
| BSF M 8 x 77.5 - 84 | 77.5 - 84 | - | M 8 | 20 x 2.5 | 2000 | 125 | 45 | 8 | 50 | 38790 |
| BSF M 8 x 85 - 92.5 | 85 - 92.5 | 3 | M 8 | 20 x 2.5 | 2000 | 134 | 49 | 8 | 50 | 38791 |
| BSF M 8 x 93 - 100.5 | 93 - 100.5 | - | M 8 | 25 x 2.5 | 2500 | 152 | 53 | 8 | 25 | 38792 |
| BSF M 8 x 101.5 - 110 | 101.5 - 110 | - | M 8 | 25 x 2.5 | 2500 | 161 | 58 | 8 | 25 | 38793 |
| BSF M 8 x 110 - 117.5 | 110 - 117.5 | 4 | M 8 | 25 x 2.5 | 2500 | 169 | 61 | 8 | 25 | 38794 |
| BSF M 8 x 119.5 - 127.5 | 119.5 - 127.5 | - | M 8 | 25 x 2.5 | 2500 | 179 | 66 | 8 | 25 | 38795 |
| BSF M 8 x 127.5 - 133.5 | 127.5 - 133.5 | - | M 8 | 25 x 2.5 | 2500 | 185 | 69 | 8 | 25 | 38796 |
| BSF M 8 x 134.5 - 142.5 | 134.5 - 142.5 | 5 | M 8 | 30 x 3.0 | 3000 | 197 | 76 | 8 | 25 | 38797 |
| BSF M 8 x 143.5 - 150.5 | 143.5 - 150.5 | - | M 8 | 30 x 3.0 | 3000 | 205 | 78 | 8 | 25 | 38798 |
| BSF M 8 x 151.5 - 159.5 | 151.5 - 159.5 | - | M 8 | 30 x 3.0 | 3000 | 214 | 83 | 8 | 25 | 38799 |
| BSF M 8 x 163.5 - 171.5 | 163.5 - 171.5 | 6 | M 8 | 30 x 3.0 | 3000 | 226 | 89 | 8 | 25 | 38800 |
| BSF M 8 x 172.5 - 182 | 172.5 - 182 | - | M 8 | 30 x 3.0 | 3000 | 236 | 94 | 8 | 25 | 38801 |
| BSF M 8 x 192.5 - 198 | 192.5 - 198 | - | M 8 | 30 x 3.0 | 3000 | 252 | 102 | 8 | 25 | 38802 |
| BSF M 8 x 215 - 220 | 215 - 220 | 8 | M 8 | 30 x 3.0 | 3000 | 274 | 113 | 8 | 25 | 38803 |



BSF M 8/10 Clips

- Similar to BSF M 8 clips, but with combined M 8/10 connection.

| Type | Ø Pipe | | Connection | Strip dimensions [mm] | Max. working load [N] | Dimensions | | | | Order Code |
|----------------------------|----------------|----------|------------|-----------------------|-----------------------|------------|--------|--------|-----|------------|
| | Ext. dia. [mm] | Nom. ["] | | | | A [mm] | B [mm] | C [mm] | | |
| BSF M 8/10 x 13 - 17.5 | 13 - 17.5 | 3/8 | M 8/10 | 20 x 2.5 | 2000 | 53 | 11 | 16 | 100 | 38671 |
| BSF M 8/10 x 21 - 25.5 | 21 - 25.5 | 1/2 | M 8/10 | 20 x 2.5 | 2000 | 61 | 15 | 16 | 100 | 38672 |
| BSF M 8/10 x 26.5 - 30.5 | 26.5 - 30.5 | 3/4 | M 8/10 | 20 x 2.5 | 2000 | 68 | 18 | 16 | 100 | 38673 |
| BSF M 8/10 x 33.5 - 38.5 | 33.5 - 38.5 | 1 | M 8/10 | 20 x 2.5 | 2000 | 76 | 22 | 16 | 100 | 38674 |
| BSF M 8/10 x 41.5 - 47 | 41.5 - 47 | 1 1/4 | M 8/10 | 20 x 2.5 | 2000 | 86 | 26 | 16 | 100 | 38675 |
| BSF M 8/10 x 48 - 54 | 48 - 54 | 1 1/2 | M 8/10 | 20 x 2.5 | 2000 | 95 | 32 | 16 | 10 | 38676 |
| BSF M 8/10 x 56 - 62.5 | 56 - 62.5 | 2 | M 8/10 | 20 x 2.5 | 2000 | 104 | 34 | 16 | 10 | 38677 |
| BSF M 8/10 x 62.5 - 69.5 | 62.5 - 69.5 | - | M 8/10 | 20 x 2.5 | 2000 | 111 | 37 | 16 | 10 | 38678 |
| BSF M 8/10 x 69.5 - 76.5 | 69.5 - 76.5 | 2 1/2 | M 8/10 | 20 x 2.5 | 2000 | 118 | 41 | 16 | 10 | 38679 |
| BSF M 8/10 x 77.5 - 84 | 77.5 - 84 | - | M 8/10 | 20 x 2.5 | 2000 | 125 | 45 | 16 | 10 | 38680 |
| BSF M 8/10 x 85 - 92.5 | 85 - 92.5 | 3 | M 8/10 | 20 x 2.5 | 2000 | 134 | 49 | 16 | 10 | 38681 |
| BSF M 8/10 x 93 - 100.5 | 93 - 100.5 | - | M 8/10 | 25 x 2.5 | 2500 | 152 | 53 | 16 | 25 | 38682 |
| BSF M 8/10 x 101.5 - 110 | 101.5 - 110 | - | M 8/10 | 25 x 2.5 | 2500 | 161 | 58 | 16 | 25 | 38683 |
| BSF M 8/10 x 110 - 117.5 | 110 - 117.5 | 4 | M 8/10 | 25 x 2.5 | 2500 | 169 | 61 | 16 | 25 | 38684 |
| BSF M 8/10 x 119.5 - 127.5 | 119.5 - 127.5 | - | M 8/10 | 25 x 2.5 | 2500 | 179 | 66 | 16 | 25 | 38685 |
| BSF M 8/10 x 127.5 - 133.5 | 127.5 - 133.5 | - | M 8/10 | 25 x 2.5 | 2500 | 185 | 69 | 16 | 25 | 38686 |

BSF M 10 Clips

- Similar to BSF M 8 clips, but with combined M 10 connection.

| Type | Ø Pipe | | Connection | Strip dimensions [mm] | Max. working load [N] | Dimensions | | | | Order Code |
|--------------------------|----------------|----------|------------|-----------------------|-----------------------|------------|--------|--------|-----|------------|
| | Ext. dia. [mm] | Nom. ["] | | | | A [mm] | B [mm] | C [mm] | | |
| BSF M 10 x 13 - 17.5 | 13 - 17.5 | 3/8 | M 10 | 20 x 2.5 | 2000 | 53 | 11 | 10 | 100 | 38711 |
| BSF M 10 x 21 - 25.5 | 21 - 25.5 | 1/2 | M 10 | 20 x 2.5 | 2000 | 61 | 15 | 10 | 100 | 38712 |
| BSF M 10 x 26.5 - 30.5 | 26.5 - 30.5 | 3/4 | M 10 | 20 x 2.5 | 2000 | 68 | 18 | 10 | 100 | 38713 |
| BSF M 10 x 33.5 - 38.5 | 33.5 - 38.5 | 1 | M 10 | 20 x 2.5 | 2000 | 76 | 22 | 10 | 100 | 38714 |
| BSF M 10 x 41.5 - 47 | 41.5 - 47 | 1 1/4 | M 10 | 20 x 2.5 | 2000 | 86 | 26 | 10 | 100 | 38715 |
| BSF M 10 x 48 - 54 | 48 - 54 | 1 1/2 | M 10 | 20 x 2.5 | 2000 | 95 | 32 | 10 | 50 | 38716 |
| BSF M 10 x 56 - 62.5 | 56 - 62.5 | 2 | M 10 | 20 x 2.5 | 2000 | 104 | 34 | 10 | 50 | 38717 |
| BSF M 10 x 62.5 - 69.5 | 62.5 - 69.5 | - | M 10 | 20 x 2.5 | 2000 | 111 | 37 | 10 | 50 | 38718 |
| BSF M 10 x 69.5 - 76.5 | 69.5 - 76.5 | 2 1/2 | M 10 | 20 x 2.5 | 2000 | 118 | 41 | 10 | 50 | 38719 |
| BSF M 10 x 77.5 - 84 | 77.5 - 84 | - | M 10 | 20 x 2.5 | 2000 | 125 | 45 | 10 | 50 | 38720 |
| BSF M 10 x 85 - 92.5 | 85 - 92.5 | 3 | M 10 | 20 x 2.5 | 2000 | 134 | 49 | 10 | 50 | 38721 |
| BSF M 10 x 93 - 100.5 | 93 - 100.5 | - | M 10 | 25 x 2.5 | 2500 | 152 | 53 | 10 | 25 | 38722 |
| BSF M 10 x 101.5 - 110 | 101.5 - 110 | - | M 10 | 25 x 2.5 | 2500 | 161 | 58 | 10 | 25 | 38723 |
| BSF M 10 x 110 - 117.5 | 110.0 - 117.5 | 4 | M 10 | 25 x 2.5 | 2500 | 169 | 61 | 10 | 25 | 38724 |
| BSF M 10 x 119.5 - 127.5 | 119.5 - 127.5 | - | M 10 | 25 x 2.5 | 2500 | 179 | 66 | 10 | 25 | 38725 |
| BSF M 10 x 127.5 - 133.5 | 127.5 - 133.5 | - | M 10 | 25 x 2.5 | 2500 | 185 | 69 | 10 | 25 | 38726 |
| BSF M 10 x 134.5 - 142.5 | 134.5 - 142.5 | 5 | M 10 | 30 x 3.0 | 3000 | 197 | 76 | 10 | 25 | 38727 |
| BSF M 10 x 143.5 - 150.5 | 143.5 - 150.5 | - | M 10 | 30 x 3.0 | 3000 | 205 | 78 | 10 | 25 | 38728 |
| BSF M 10 x 151.5 - 159.5 | 151.5 - 159.5 | - | M 10 | 30 x 3.0 | 3000 | 214 | 83 | 10 | 25 | 38729 |
| BSF M 10 x 163.5 - 171.5 | 163.5 - 171.5 | 6 | M 10 | 30 x 3.0 | 3000 | 226 | 89 | 10 | 25 | 38730 |
| BSF M 10 x 172.5 - 182 | 172.5 - 182 | - | M 10 | 30 x 3.0 | 3000 | 236 | 94 | 10 | 25 | 38731 |
| BSF M 10 x 192.5 - 198 | 192.5 - 198 | - | M 10 | 30 x 3.0 | 3000 | 252 | 102 | 10 | 25 | 38732 |
| BSF M 10 x 215 - 220 | 215 - 220 | 8 | M 10 | 30 x 3.0 | 3000 | 274 | 113 | 10 | 25 | 38733 |

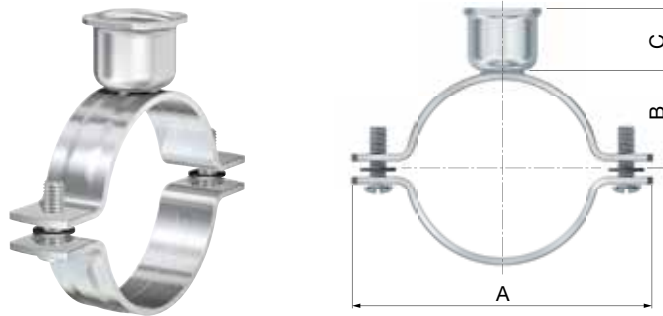
BSF M 12 Clips

- Similar to BSF M 8 clips, but with combined M 12 connection.

| Type | Ø Pipe | | Connection | Strip dimensions [mm] | Max. working load [N] | Dimensions | | | | Order Code |
|--------------------------|----------------|----------|------------|-----------------------|-----------------------|------------|--------|--------|----|------------|
| | Ext. dia. [mm] | Nom. ["] | | | | A [mm] | B [mm] | C [mm] | | |
| BSF M 12 x 93 - 100.5 | 93 - 100.5 | - | M 12 | 25 x 2.5 | 2500 | 152 | 53 | 12 | 25 | 38742 |
| BSF M 12 x 101.5 - 110 | 101.5 - 110 | - | M 12 | 25 x 2.5 | 2500 | 161 | 58 | 12 | 25 | 38743 |
| BSF M 12 x 110 - 117.5 | 110 - 117.5 | 4 | M 12 | 25 x 2.5 | 2500 | 169 | 61 | 12 | 25 | 38744 |
| BSF M 12 x 119.5 - 127.5 | 119.5 - 127.5 | - | M 12 | 25 x 2.5 | 2500 | 179 | 66 | 12 | 25 | 38745 |
| BSF M 12 x 127.5 - 133.5 | 127.5 - 133.5 | - | M 12 | 25 x 2.5 | 2500 | 185 | 69 | 12 | 25 | 38746 |
| BSF M 12 x 134.5 - 142.5 | 134.5 - 142.5 | 5 | M 12 | 30 x 3.0 | 3000 | 197 | 76 | 12 | 25 | 38747 |
| BSF M 12 x 143.5 - 150.5 | 143.5 - 150.5 | - | M 12 | 30 x 3.0 | 3000 | 205 | 78 | 12 | 25 | 38748 |
| BSF M 12 x 151.5 - 159.5 | 151.5 - 159.5 | - | M 12 | 30 x 3.0 | 3000 | 214 | 83 | 12 | 25 | 38749 |
| BSF M 12 x 163.5 - 171.5 | 163.5 - 171.5 | 6 | M 12 | 30 x 3.0 | 3000 | 226 | 89 | 12 | 25 | 38750 |
| BSF M 12 x 172.5 - 182 | 172.5 - 182 | - | M 12 | 30 x 3.0 | 3000 | 236 | 94 | 12 | 25 | 38751 |
| BSF M 12 x 192.5 - 198 | 192.5 - 198 | - | M 12 | 30 x 3.0 | 3000 | 252 | 102 | 12 | 25 | 38752 |
| BSF M 12 x 215 - 220 | 215 - 220 | 8 | M 12 | 30 x 3.0 | 3000 | 274 | 113 | 12 | 25 | 38753 |

BSF 1/2 F Clips

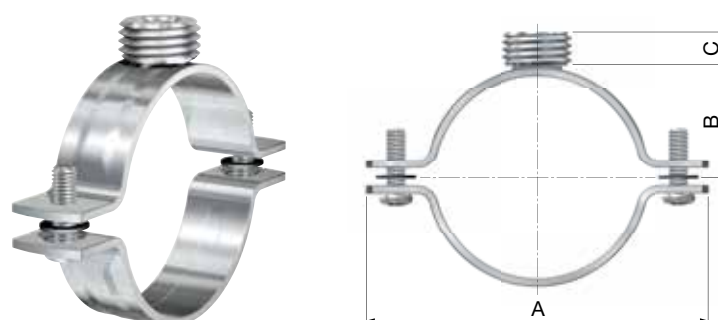
- Similar to BSF M 8 clips, but with G 1/2" F (BSP) connection.



| Type | Ø Pipe | | Connection | Strip dimensions [mm] | Max. working load [N] | Dimensions | | | Order Code | |
|---------------------------|----------------|----------|------------|-----------------------|-----------------------|------------|--------|--------|------------|-------|
| | Ext. dia. [mm] | Nom. ["] | | | | A [mm] | B [mm] | C [mm] | | |
| BSF 1/2 F x 13 - 17.5 | 13 - 17.5 | 3/8 | G 1/2" F | 20 x 2.5 | 2000 | 53 | 11 | 23 | 100 | 38761 |
| BSF 1/2 F x 21 - 25.5 | 21 - 25.5 | 1/2 | G 1/2" F | 20 x 2.5 | 2000 | 61 | 15 | 23 | 100 | 38762 |
| BSF 1/2 F x 26.5 - 30.5 | 26.5 - 30.5 | 3/4 | G 1/2" F | 20 x 2.5 | 2000 | 68 | 18 | 23 | 100 | 38763 |
| BSF 1/2 F x 33.5 - 38.5 | 33.5 - 38.5 | 1 | G 1/2" F | 20 x 2.5 | 2000 | 76 | 22 | 23 | 50 | 38764 |
| BSF 1/2 F x 41.5 - 47 | 41.5 - 47 | 1 1/4 | G 1/2" F | 20 x 2.5 | 2000 | 86 | 26 | 23 | 50 | 38765 |
| BSF 1/2 F x 48 - 54 | 48 - 54 | 1 1/2 | G 1/2" F | 20 x 2.5 | 2000 | 95 | 32 | 23 | 50 | 38766 |
| BSF 1/2 F x 56 - 62.5 | 56 - 62.5 | 2 | G 1/2" F | 20 x 2.5 | 2000 | 104 | 34 | 23 | 50 | 38767 |
| BSF 1/2 F x 62.5 - 69.5 | 62.5 - 69.5 | - | G 1/2" F | 20 x 2.5 | 2000 | 111 | 37 | 23 | 50 | 38768 |
| BSF 1/2 F x 69.5 - 76.5 | 69.5 - 76.5 | 2 1/2 | G 1/2" F | 20 x 2.5 | 2000 | 118 | 41 | 23 | 50 | 38769 |
| BSF 1/2 F x 77.5 - 84 | 77.5 - 84 | - | G 1/2" F | 20 x 2.5 | 2000 | 125 | 45 | 23 | 50 | 38770 |
| BSF 1/2 F x 85 - 92.5 | 85 - 92.5 | 3 | G 1/2" F | 20 x 2.5 | 2000 | 134 | 49 | 23 | 50 | 38771 |
| BSF 1/2 F x 93 - 100.5 | 93 - 100.5 | - | G 1/2" F | 25 x 2.5 | 2500 | 152 | 53 | 23 | 25 | 38772 |
| BSF 1/2 F x 101.5 - 110 | 101.5 - 110 | - | G 1/2" F | 25 x 2.5 | 2500 | 161 | 58 | 23 | 25 | 38773 |
| BSF 1/2 F x 110 - 117.5 | 110.0 - 117.5 | 4 | G 1/2" F | 25 x 2.5 | 2500 | 169 | 61 | 23 | 25 | 38774 |
| BSF 1/2 F x 119.5 - 127.5 | 119.5 - 127.5 | - | G 1/2" F | 25 x 2.5 | 2500 | 179 | 66 | 23 | 25 | 38775 |
| BSF 1/2 F x 127.5 - 133.5 | 127.5 - 133.5 | - | G 1/2" F | 25 x 2.5 | 2500 | 185 | 69 | 23 | 25 | 38776 |
| BSF 1/2 F x 134.5 - 142.5 | 134.5 - 142.5 | 5 | G 1/2" F | 30 x 3.0 | 3000 | 197 | 76 | 23 | 25 | 38777 |
| BSF 1/2 F x 143.5 - 150.5 | 143.5 - 150.5 | - | G 1/2" F | 30 x 3.0 | 3000 | 205 | 78 | 23 | 25 | 38778 |
| BSF 1/2 F x 151.5 - 159.5 | 151.5 - 159.5 | - | G 1/2" F | 30 x 3.0 | 3000 | 214 | 83 | 23 | 25 | 38779 |
| BSF 1/2 F x 163.5 - 171.5 | 163.5 - 171.5 | 6 | G 1/2" F | 30 x 3.0 | 3000 | 226 | 89 | 23 | 25 | 38780 |
| BSF 1/2 F x 172.5 - 182 | 172.5 - 182 | - | G 1/2" F | 30 x 3.0 | 3000 | 236 | 94 | 23 | 25 | 38781 |
| BSF 1/2 F x 192.5 - 198 | 192.5 - 198 | - | G 1/2" F | 30 x 3.0 | 3000 | 252 | 102 | 23 | 25 | 38782 |
| BSF 1/2 F x 215 - 220 | 215 - 220 | 8 | G 1/2" F | 30 x 3.0 | 3000 | 274 | 113 | 23 | 25 | 38783 |

BSF 1/2" M / M 10 Clips

- Similar to the BSF M 8 clips, but with a combined G 1/2" M (BSP) / M 10 connection.

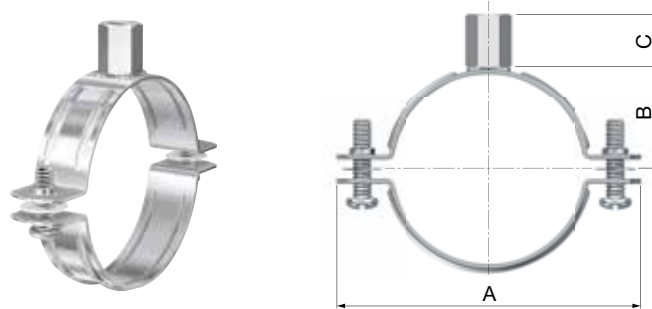


| Type | Ø Pipe | | Connection | Strip dimensions [mm] | Max. working load [N] | Dimensions | | | | Order Code |
|--|----------------|----------|-----------------|-----------------------|-----------------------|------------|--------|--------|----|------------|
| | Ext. dia. [mm] | Nom. ["] | | | | A [mm] | B [mm] | C [mm] | | |
| BSF 1/2" M / M 10 x 13 - 17.5 | 13 - 17.5 | 3/8 | G 1/2" M / M 10 | 20 x 2.5 | 2000 | 53 | 11 | 10 | 50 | 51801 |
| BSF 1/2" M / M 10 x 21 - 25.5 | 21 - 25.5 | 1/2 | G 1/2" M / M 10 | 20 x 2.5 | 2000 | 61 | 15 | 10 | 50 | 51802 |
| BSF 1/2" M / M 10 x 26.5 - 30.5 | 26.5 - 30.5 | 3/4 | G 1/2" M / M 10 | 20 x 2.5 | 2000 | 68 | 18 | 10 | 50 | 51803 |
| BSF 1/2" M / M 10 x 33.5 - 38.5 | 33.5 - 38.5 | 1 | G 1/2" M / M 10 | 20 x 2.5 | 2000 | 76 | 22 | 10 | 50 | 51804 |
| BSF 1/2" M / M 10 x 41.5 - 47 | 41.5 - 47 | 1 1/4 | G 1/2" M / M 10 | 20 x 2.5 | 2000 | 86 | 26 | 10 | 50 | 51805 |
| BSF 1/2" M / M 10 x 48 - 54 | 48 - 54 | 1 1/2 | G 1/2" M / M 10 | 20 x 2.5 | 2000 | 95 | 32 | 10 | 50 | 51806 |
| BSF 1/2" M / M 10 x 56 - 62.5 | 56 - 62.5 | 2 | G 1/2" M / M 10 | 20 x 2.5 | 2000 | 104 | 34 | 10 | 50 | 51807 |
| BSF 1/2" M / M 10 x 62.5 - 69.5 | 62.5 - 69.5 | - | G 1/2" M / M 10 | 20 x 2.5 | 2000 | 111 | 37 | 10 | 50 | 51808 |
| BSF 1/2" M / M 10 x 69.5 - 76.5 | 69.5 - 76.5 | 2 1/2 | G 1/2" M / M 10 | 20 x 2.5 | 2000 | 118 | 41 | 10 | 50 | 51809 |
| BSF 1/2" M / M 10 x 77.5 - 84 | 77.5 - 84 | - | G 1/2" M / M 10 | 20 x 2.5 | 2000 | 125 | 45 | 10 | 50 | 51810 |
| BSF 1/2" M / M 10 x 85 - 92.5 | 85 - 92.5 | 3 | G 1/2" M / M 10 | 20 x 2.5 | 2000 | 134 | 49 | 10 | 50 | 51811 |
| BSF 1/2" M / M 10 x 93 - 100.5 | 93 - 100.5 | - | G 1/2" M / M 10 | 25 x 2.5 | 2500 | 152 | 53 | 10 | 25 | 51812 |
| BSF 1/2" M / M 10 x 101.5 - 110 | 101.5 - 110 | - | G 1/2" M / M 10 | 25 x 2.5 | 2500 | 161 | 58 | 10 | 25 | 51813 |
| BSF 1/2" M / M 10 x 110 - 117.5 | 110 - 117.5 | 4 | G 1/2" M / M 10 | 25 x 2.5 | 2500 | 169 | 61 | 10 | 25 | 51814 |
| BSF 1/2" M / M 10 x 119.5 - 127.5 | 119.5 - 127.5 | - | G 1/2" M / M 10 | 25 x 2.5 | 2500 | 179 | 66 | 10 | 25 | 51815 |
| BSF 1/2" M / M 10 x 127.5 - 133.5 | 127.5 - 133.5 | - | G 1/2" M / M 10 | 25 x 2.5 | 2500 | 185 | 69 | 10 | 25 | 51816 |
| BSF 1/2" M / M 10 x 134.5 - 142.5 | 134.5 - 142.5 | 5 | G 1/2" M / M 10 | 30 x 3.0 | 3000 | 197 | 76 | 10 | 25 | 51817 |
| BSF 1/2" M / M 10 x 143.5 - 150.5 | 143.5 - 150.5 | - | G 1/2" M / M 10 | 30 x 3.0 | 3000 | 205 | 78 | 10 | 25 | 51818 |
| BSF 1/2" M / M 10 x 151.5 - 159.5 | 151.5 - 159.5 | - | G 1/2" M / M 10 | 30 x 3.0 | 3000 | 214 | 83 | 10 | 25 | 51819 |
| BSF 1/2" M / M 10 x 163.5 - 171.5 | 163.5 - 171.5 | 6 | G 1/2" M / M 10 | 30 x 3.0 | 3000 | 226 | 89 | 10 | 25 | 51820 |
| BSF 1/2" M / M 10 x 172.5 - 182 | 172.5 - 182 | - | G 1/2" M / M 10 | 30 x 3.0 | 3000 | 236 | 94 | 10 | 25 | 51821 |
| BSF 1/2" M / M 10 x 192.5 - 198 | 192.5 - 198 | - | G 1/2" M / M 10 | 30 x 3.0 | 3000 | 252 | 102 | 10 | 25 | 51822 |

BSU M 8/10 Clips

BSU clips are designed for mounting steel pipes to the wall or ceiling.

- With retaining ring.
- Bolt with slot and cross head.
- Close fitting possible.
- Suitable for high loads and temperatures.
- Safety margin for minimal breaking load (V) = 3.
- Compatible with pipe sizes as per DIN 2448.
- Clip: Electrolytically zinc-plated.



| Type | Ø Pipe | | Connection | Strip dimensions [mm] | Max. working load [N] | Dimensions | | | | Order Code |
|------------------------|----------------|----------|------------|-----------------------|-----------------------|------------|--------|--------|----|------------|
| | Ext. dia. [mm] | Nom. ["] | | | | A [mm] | B [mm] | C [mm] | | |
| BSU M 8/10 x 15 - 18 | 15 - 18 | 3/8 | M 8/10 | 20 x 1.5 | 1000 | 50 | 11 | 16 | 50 | 38270 |
| BSU M 8/10 x 20 - 25 | 20 - 25 | 1/2 | M 8/10 | 1.5 x 20 | 1000 | 60 | 16 | 16 | 50 | 38271 |
| BSU M 8/10 x 26 - 30 | 26 - 30 | 3/4 | M 8/10 | 1.5 x 20 | 1000 | 64 | 19 | 16 | 50 | 38272 |
| BSU M 8/10 x 32 - 36 | 32 - 36 | 1 | M 8/10 | 1.5 x 20 | 1000 | 71 | 22 | 16 | 50 | 38273 |
| BSU M 8/10 x 38 - 43 | 38 - 43 | 1 1/4 | M 8/10 | 1.5 x 20 | 1000 | 79 | 25 | 16 | 50 | 38274 |
| BSU M 8/10 x 44 - 49 | 44 - 49 | 1 1/2 | M 8/10 | 1.5 x 20 | 1000 | 84 | 28 | 16 | 50 | 38275 |
| BSU M 8/10 x 56 - 61 | 56 - 61 | 2 | M 8/10 | 1.5 x 20 | 1000 | 93 | 34 | 16 | 50 | 38276 |
| BSU M 8/10 x 62 - 67 | 62 - 67 | - | M 8/10 | 20 x 1.5 | 1000 | 109 | 36 | 16 | 50 | 38286 |
| BSU M 8/10 x 75 - 80 | 75 - 80 | 2 1/2 | M 8/10 | 2.0 x 20 | 1300 | 118 | 44 | 16 | 50 | 38277 |
| BSU M 8/10 x 87 - 92 | 87 - 92 | 3 | M 8/10 | 2.0 x 20 | 1300 | 129 | 50 | 16 | 50 | 38278 |
| BSU M 8/10 x 108 - 116 | 108 - 116 | 4 | M 8/10 | 2.5 x 20 | 2150 | 160 | 62 | 16 | 25 | 38279 |
| BSU M 8/10 x 121 - 127 | 121 - 127 | - | M 8/10 | 20 x 2.5 | 2150 | 160 | 66 | 16 | 25 | 38287 |

BSU M 10/12 Clips

- Similar to the BSU M 8/10 clips, but with a combined M 10/12 connection.

| Type | Ø Pipe | | Connection | Strip dimensions [mm] | Max. working load [N] | Dimensions | | | | Order Code |
|-------------------------|----------------|----------|------------|-----------------------|-----------------------|------------|--------|--------|----|------------|
| | Ext. dia. [mm] | Nom. ["] | | | | A [mm] | B [mm] | C [mm] | | |
| BSU M 10/12 x 108 - 116 | 108 - 116 | 4 | M 10/12 | 20 x 2.5 | 2150 | 160 | 62 | 18 | 25 | 38282 |
| BSU M 10/12 x 131 - 141 | 131 - 141 | 5 | M 10/12 | 20 x 2.5 | 2150 | 188 | 75 | 18 | 25 | 38283 |
| BSU M 10/12 x 165 - 169 | 165 - 169 | 6 | M 10/12 | 20 x 2.5 | 2150 | 220 | 89 | 18 | 10 | 38284 |



RSF Clips

RSF clips are designed for heavy duty applications and fixed point constructions. The thickness of the material and the reinforcement ribs make the most rigid assemblies possible.

- Complete and comprehensive range.
- A special combinut with outer and inner thread makes a broad range of applications possible in combination with threaded rods and pipes.
- Electrolytically zinc-plated.

• Execution:

RSF G ½ M (BSP) / M 10, G ½ M (BSP) / M 12 and G ¾ M (BSP) / M 16:

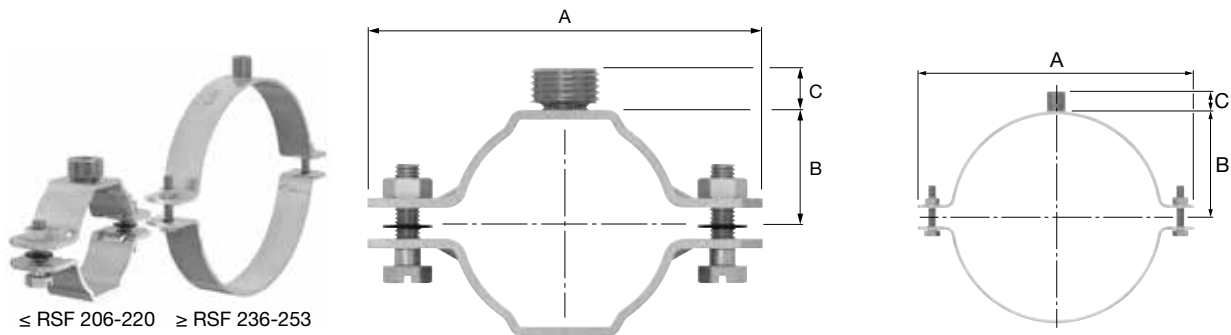
Special welded-on nuts on the clip flanges allow high torque on the fixing bolts and permit heavy loads on the clip whilst easing installation.

Bolt with retaining ring.

The head of the bolt has a slot, a Pozidriv 2 (PZ2) and hexagon for fast installation with a flat or cross-head screwdriver or a spanner.

RSF G ¾ M (BSP) / M 12/16:

Equipped with two hexagon bolts.

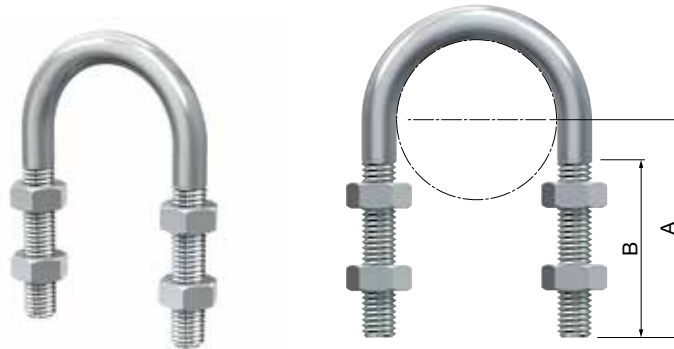



| Type | Ø Pipe | | Strip dimensions [mm] | Connection | Max. working load [N] | Dimensions | | | | Order Code |
|-------------------------------|----------------|-----------|-----------------------|------------------|-----------------------|------------|--------|--------|----|------------|
| | Ext. dia. [mm] | Nom. ["] | | | | A [mm] | B [mm] | C [mm] | | |
| RSF ½ M / M 10 x 13,5 - 18 | 13,5 - 18,9 | 1/4 + 3/8 | 30 x 3,0 | G ½" M / M 10 | 4000 | 74 | 12,0 | 12 | 50 | 54201 |
| RSF ½ M / M 10 x 19 - 23 | 19 - 23,9 | 1/2 | 30 x 3,0 | G ½" M / M 10 | 4000 | 79 | 14,5 | 12 | 50 | 54202 |
| RSF ½ M / M 10 x 24 - 28 | 24 - 28,9 | 3/4 | 30 x 3,0 | G ½" M / M 10 | 4000 | 84 | 17,0 | 12 | 50 | 54203 |
| RSF ½ M / M 10 x 29 - 33 | 29 - 33,9 | 1 | 30 x 3,0 | G ½" M / M 10 | 4000 | 89 | 18,5 | 12 | 50 | 54204 |
| RSF ½ M / M 10 x 34 - 39 | 34 - 39,9 | - | 30 x 3,0 | G ½" M / M 10 | 4000 | 95 | 22,5 | 12 | 50 | 54205 |
| RSF ½ M / M 10 x 40 - 44 | 40 - 44,9 | 1 1/4 | 30 x 3,0 | G ½" M / M 10 | 4000 | 74 | 25,0 | 12 | 50 | 54206 |
| RSF ½ M / M 10 x 45 - 49 | 45 - 49,9 | 1 1/2 | 30 x 3,0 | G ½" M / M 10 | 4000 | 105 | 27,5 | 12 | 50 | 54207 |
| RSF ½ M / M 10 x 50 - 55 | 50 - 55,9 | - | 30 x 3,0 | G ½" M / M 10 | 4000 | 111 | 30,5 | 12 | 25 | 54208 |
| RSF ½ M / M 10 x 56 - 61 | 56 - 61,9 | 2 | 30 x 3,0 | G ½" M / M 10 | 4000 | 117 | 33,5 | 12 | 25 | 54209 |
| RSF ½ M / M 10 x 62 - 68 | 62 - 68,9 | - | 30 x 3,0 | G ½" M / M 10 | 4000 | 124 | 37,0 | 12 | 25 | 54210 |
| RSF ½ M / M 10 x 69 - 76 | 69 - 76,9 | 2 1/2 | 30 x 3,0 | G ½" M / M 10 | 4000 | 132 | 41,0 | 12 | 25 | 54211 |
| RSF ½ M / M 10 x 77 - 84 | 77 - 84,9 | - | 30 x 3,0 | G ½" M / M 10 | 4000 | 140 | 45,0 | 12 | 25 | 54212 |
| RSF ½ M / M 10 x 85 - 91 | 85 - 91,9 | 3 | 40 x 4,0 | G ½" M / M 10 | 5000 | 159 | 49,5 | 12 | 25 | 54213 |
| RSF ½ M / M 10 x 92 - 98 | 92 - 98,9 | - | 40 x 4,0 | G ½" M / M 10 | 5000 | 166 | 53,0 | 12 | 25 | 54214 |
| RSF ½ M / M 10 x 99 - 105 | 99 - 105,9 | - | 40 x 4,0 | G ½" M / M 10 | 5000 | 173 | 56,5 | 12 | 25 | 54215 |
| RSF ½ M / M 10 x 106 - 114 | 106 - 114,9 | 4 | 40 x 4,0 | G ½" M / M 10 | 5000 | 182 | 61,0 | 12 | 20 | 54216 |
| RSF ½ M / M 12 x 115 - 122 | 115 - 122,9 | - | 40 x 4,0 | G ½" M / M 12 | 5000 | 190 | 65,0 | 12 | 20 | 54217 |
| RSF ½ M / M 12 x 123 - 130 | 123 - 130,9 | - | 40 x 4,0 | G ½" M / M 12 | 5000 | 198 | 69,0 | 12 | 20 | 54218 |
| RSF ½ M / M 12 x 131 - 139 | 131 - 139,9 | 5 | 40 x 4,0 | G ½" M / M 12 | 5000 | 207 | 73,5 | 12 | 20 | 54219 |
| RSF ½ M / M 12 x 140 - 148 | 140 - 148,9 | - | 40 x 4,0 | G ½" M / M 12 | 5000 | 216 | 78,0 | 12 | 20 | 54220 |
| RSF ½ M / M 12 x 149 - 157 | 149 - 157,9 | - | 40 x 4,0 | G ½" M / M 12 | 5000 | 225 | 82,5 | 12 | 20 | 54221 |
| RSF ½ M / M 12 x 158 - 166 | 158 - 166,9 | 6 | 40 x 4,0 | G ½" M / M 12 | 5000 | 234 | 87,0 | 12 | 20 | 54222 |
| RSF ½ M / M 12 x 167 - 179 | 167 - 179,9 | - | 40 x 4,0 | G ½" M / M 12 | 5000 | 247 | 93,5 | 12 | 20 | 54223 |
| RSF ¾ M / M 16 x 180 - 192 | 180 - 192,9 | - | 40 x 4,0 | G ¾" M / M 16 | 5000 | 260 | 100,0 | 16 | 10 | 54224 |
| RSF ¾ M / M 16 x 193 - 205 | 193 - 205,9 | - | 40 x 4,0 | G ¾" M / M 16 | 5000 | 273 | 106,5 | 16 | 10 | 54225 |
| RSF ¾ M / M 16 x 206 - 220 | 206 - 220,9 | 8 | 40 x 4,0 | G ¾" M / M 16 | 5000 | 288 | 114,0 | 16 | 10 | 54226 |
| RSF ¾ M / M 12/16 x 236 - 253 | 236 - 253,9 | - | 50 x 5,0 | G ¾" M / M 12/16 | 9000 | 330 | 133,0 | 26 | 10 | 54227 |
| RSF ¾ M / M 12/16 x 254 - 273 | 254 - 273,9 | 10 | 50 x 5,0 | G ¾" M / M 12/16 | 9000 | 348 | 142,0 | 26 | 10 | 54228 |
| RSF ¾ M / M 12/16 x 274 - 286 | 274 - 286,9 | - | 50 x 5,0 | G ¾" M / M 12/16 | 9000 | 361 | 148,0 | 26 | 10 | 54229 |
| RSF ¾ M / M 12/16 x 287 - 305 | 287 - 305,9 | - | 50 x 5,0 | G ¾" M / M 12/16 | 9000 | 380 | 158,0 | 26 | 10 | 54230 |
| RSF ¾ M / M 12/16 x 306 - 324 | 306 - 324,9 | 12 | 50 x 5,0 | G ¾" M / M 12/16 | 9000 | 399 | 167,0 | 26 | 10 | 54231 |
| RSF ¾ M / M 12/16 x 325 - 337 | 325 - 337,9 | - | 50 x 5,0 | G ¾" M / M 12/16 | 9000 | 412 | 174,0 | 26 | 10 | 54232 |
| RSF ¾ M / M 12/16 x 338 - 356 | 338 - 356,9 | 14 | 50 x 5,0 | G ¾" M / M 12/16 | 9000 | 431 | 183,0 | 26 | 10 | 54233 |
| RSF ¾ M / M 12/16 x 357 - 369 | 357 - 369,9 | - | 50 x 5,0 | G ¾" M / M 12/16 | 9000 | 444 | 190,0 | 26 | 10 | 54234 |
| RSF ¾ M / M 12/16 x 370 - 387 | 370 - 387,9 | - | 50 x 5,0 | G ¾" M / M 12/16 | 9000 | 462 | 199,0 | 26 | 10 | 54235 |
| RSF ¾ M / M 12/16 x 388 - 406 | 388 - 406,9 | 16 | 50 x 5,0 | G ¾" M / M 12/16 | 9000 | 481 | 208,0 | 26 | 10 | 54236 |

UB U-bolts

U-bolts for fixing pipes directly to rail or other foundations.

- Electrolytically zinc-plated.
- Threaded connections from M 6 up to M 16.
- Supplied with 4 nuts.

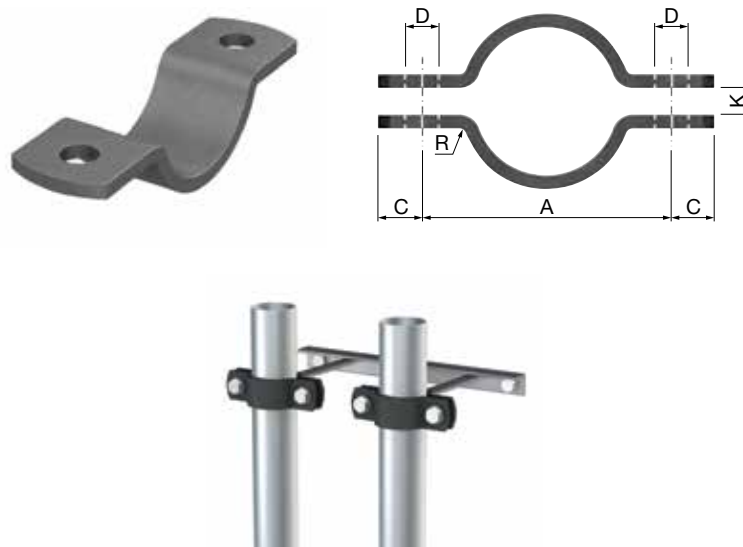


| Type | Ø Pipe | | Connection | Suitable for Flamco rail | Dimensions | |  | Order Code |
|---------------------|----------------|----------|------------|--------------------------|------------|--------|---|------------|
| | Ext. dia. [mm] | Nom. ["] | | | A [mm] | B [mm] | | |
| UB M 6 x 10 - 14 | 10 - 14 | 1/4 | M 6 | R1/R2/R8 | 35 | 30 | 100 | 81001 |
| UB M 6 x 15 - 18 | 15 - 18 | 3/8 | M 6 | R1/R2/R8 | 36.5 | 30 | 100 | 81002 |
| UB M 6 x 19 - 22 | 19 - 22 | 1/2 | M 6 | R1/R2/R8 | 38.5 | 30 | 100 | 81003 |
| UB M 8 x 23 - 27 | 23 - 27 | 3/4 | M 8 | R0-2/R8 | 45 | 30 | 50 | 81004 |
| UB M 8 x 28 - 34 | 28 - 34 | 1 | M 8 | R0-2/R8 | 49 | 40 | 50 | 81005 |
| UB M 8 x 35 - 43 | 35 - 43 | 1 1/4 | M 8 | R0-2/R8 | 53 | 40 | 50 | 81006 |
| UB M 8 x 44 - 49 | 44 - 49 | 1 1/2 | M 8 | R0-2/R8 | 56 | 40 | 50 | 81007 |
| UB M 8 x 50 - 61 | 50 - 61 | 2 | M 8 | R1/R2/R8 | 62 | 45 | 50 | 81008 |
| UB M 8 x 62 - 70 | 62 - 70 | - | M 8 | R1/R2/R8 | 67 | 45 | 50 | 81009 |
| UB M 8 x 71 - 77 | 71 - 77 | 2 1/2 | M 8 | R0-2/R8 | 70 | 45 | 50 | 81010 |
| UB M 10 x 78 - 89 | 78 - 89 | 3 | M 10 | R1/R2/R8 | 82 | 45 | 20 | 81011 |
| UB M 10 x 90 - 102 | 90 - 102 | 3 1/2 | M 10 | R1/R2/R8 | 88 | 50 | 20 | 81012 |
| UB M 10 x 103 - 108 | 103 - 108 | - | M 10 | R1/R2/R8 | 91 | 50 | 20 | 81013 |
| UB M 10 x 109 - 115 | 109 - 115 | 4 | M 10 | R1/R2/R8 | 94 | 50 | 20 | 81014 |
| UB M 12 x 116 - 127 | 116 - 127 | - | M 12 | R4/R7/R8 | 104 | 50 | 20 | 81015 |
| UB M 12 x 128 - 133 | 128 - 133 | - | M 12 | R4/R7/R8 | 107 | 60 | 20 | 81016 |
| UB M 12 x 134 - 140 | 134 - 140 | 5 | M 12 | R4/R7/R8 | 111 | 60 | 20 | 81017 |
| UB M 12 x 141 - 159 | 141 - 159 | - | M 12 | - | 120 | 60 | 20 | 81018 |
| UB M 12 x 160 - 169 | 160 - 169 | 6 | M 12 | R4/R7/R8 | 125 | 60 | 20 | 81019 |
| UB M 12 x 170 - 220 | 170 - 220 | 8 | M 12 | R4/R7/R8 | 150 | 60 | 20 | 81020 |
| UB M 16 x 221 - 273 | 221 - 273 | 10 | M 16 | - | 180 | 60 | 10 | 81021 |
| UB M 16 x 274 - 324 | 274 - 324 | 12 | M 16 | - | 205 | 70 | 10 | 81022 |
| UB M 16 x 325 - 356 | 325 - 356 | 14 | M 16 | - | 220 | 70 | 10 | 81023 |
| UB M 16 x 357 - 407 | 357 - 407 | 16 | M 16 | - | 250 | 70 | 10 | 81024 |

KB Fixed Point Clips (steel)

KB clips are designed for rigid support, such as mounting heavy pipes for rising mains. Suitable for fixed point construction.

- Clip as per DIN 3567.
- Supplied per one half.
- KB clips are compatible with pipe sizes as per DIN 2448 and DIN EN 10220.



| Type | Ø Pipe | | Boiler tube nom. dia. [mm] | Strip dimensions [mm] | Bolts needed * | Dimensions | | | | | Torque * [Nm] | Max. axial shear [N] | | Order Code |
|--------|----------------|----------|----------------------------|-----------------------|----------------|------------|--------|--------|--------|--------|---------------|----------------------|---|------------|
| | Ext. dia. [mm] | Nom. ["] | | | | A [mm] | C [mm] | D [mm] | K [mm] | R [mm] | | | | |
| KB 22 | 22 | 1/2 | 15 | 30 x 5.0 | M 10 x 30 | 56 | 15 | 11.5 | 7 | 7 | 50 | 1000 | 1 | 37932 |
| KB 27 | 27 | 3/4 | 20 | 30 x 5.0 | M 10 x 30 | 66 | 15 | 11.5 | 7 | 7 | 50 | 1000 | 1 | 37901 |
| KB 34 | 34 | 1 | 25 | 30 x 5.0 | M 10 x 30 | 72 | 15 | 11.5 | 7 | 7 | 50 | 2500 | 1 | 37903 |
| KB 43 | 43 | 1 1/4 | 32 | 30 x 5.0 | M 10 x 30 | 82 | 15 | 11.5 | 7 | 7 | 50 | 2500 | 1 | 37905 |
| KB 45 | 45 | - | 40 | 30 x 5.0 | M 10 x 30 | 84 | 15 | 11.5 | 7 | 7 | 50 | 2500 | 1 | 37906 |
| KB 49 | 49 | 1 1/2 | 40 | 30 x 5.0 | M 10 x 30 | 88 | 15 | 11.5 | 7 | 7 | 50 | 2500 | 1 | 37907 |
| KB 57 | 57 | - | 50 | 40 x 6.0 | M 12 x 35 | 104 | 18 | 14 | 9 | 9 | 90 | 5000 | 1 | 37908 |
| KB 61 | 61 | 2 | 50 | 40 x 6.0 | M 12 x 35 | 108 | 18 | 14 | 9 | 9 | 90 | 5000 | 1 | 37909 |
| KB 77 | 77 | 2 1/2 | 65 | 40 x 6.0 | M 12 x 35 | 122 | 18 | 14 | 9 | 9 | 90 | 5000 | 1 | 37910 |
| KB 89 | 89 | 3 | 80 | 40 x 6.0 | M 12 x 35 | 136 | 18 | 14 | 9 | 9 | 90 | 5000 | 1 | 37911 |
| KB 108 | 108 | - | 100 | 50 x 8.0 | M 16 x 45 | 172 | 24 | 18 | 11 | 12 | 230 | 10000 | 1 | 37912 |
| KB 115 | 115 | 4 | 100 | 50 x 8.0 | M 16 x 45 | 178 | 24 | 18 | 11 | 12 | 230 | 10000 | 1 | 37913 |
| KB 133 | 133 | - | 125 | 50 x 8.0 | M 16 x 45 | 196 | 24 | 18 | 11 | 12 | 230 | 10000 | 1 | 37914 |
| KB 140 | 140 | 5 | 125 | 50 x 8.0 | M 16 x 45 | 204 | 24 | 18 | 11 | 12 | 230 | 10000 | 1 | 37915 |
| KB 159 | 159 | - | 150 | 50 x 8.0 | M 16 x 45 | 222 | 24 | 18 | 11 | 12 | 230 | 10000 | 1 | 37916 |
| KB 169 | 169 | 6 | 150 | 50 x 8.0 | M 16 x 45 | 232 | 24 | 18 | 11 | 12 | 230 | 10000 | 1 | 37917 |
| KB 191 | 191 | - | 175 | 50 x 8.0 | M 16 x 45 | 255 | 24 | 18 | 11 | 12 | 230 | 10000 | 1 | 37918 |
| KB 194 | 194 | - | 175 | 50 x 8.0 | M 16 x 45 | 258 | 24 | 18 | 11 | 12 | 230 | 10000 | 1 | 37919 |
| KB 216 | 216 | - | 196 | 50 x 8.0 | M 16 x 45 | 280 | 24 | 18 | 11 | 12 | 230 | 10000 | 1 | 37920 |
| KB 220 | 220 | 8 | 200 | 50 x 8.0 | M 16 x 45 | 284 | 24 | 18 | 11 | 12 | 230 | 10000 | 1 | 37921 |
| KB 267 | 267 | - | 250 | 60 x 8.0 | M 20 x 50 | 342 | 30 | 23 | 14 | 12 | 460 | 15000 | 1 | 37922 |
| KB 273 | 273 | 10 | 250 | 60 x 8.0 | M 20 x 50 | 348 | 30 | 23 | 14 | 12 | 460 | 15000 | 1 | 37923 |
| KB 318 | 318 | - | 300 | 60 x 8.0 | M 20 x 50 | 382 | 30 | 23 | 14 | 12 | 460 | 15000 | 1 | 37924 |
| KB 324 | 324 | 12 | 300 | 60 x 8.0 | M 20 x 50 | 398 | 30 | 23 | 14 | 12 | 460 | 15000 | 1 | 37925 |
| KB 368 | 368 | - | 350 | 60 x 8.0 | M 20 x 50 | 444 | 30 | 23 | 14 | 12 | 460 | 15000 | 1 | 37927 |
| KB 407 | 407 | 16 | 400 | 70 x 10.0 | M 24 x 60 | 498 | 36 | 27 | 18 | 15 | 800 | 20000 | 1 | 37928 |
| KB 419 | 419 | - | 400 | 70 x 10.0 | M 24 x 60 | 510 | 36 | 27 | 18 | 15 | 800 | 20000 | 1 | 37929 |
| KB 508 | 508 | - | 500 | 70 x 10.0 | M 24 x 60 | 600 | 36 | 27 | 18 | 15 | 800 | 20000 | 1 | 37930 |
| KB 521 | 521 | - | 500 | 70 x 10.0 | M 24 x 60 | 614 | 36 | 27 | 18 | 15 | 800 | 20000 | 1 | 37931 |


* Hex bolt strength class 8.8 according to ISO 4014 (with friction coefficient of 0,14).

FOR STAINLESS STEEL PIPES

BRS Clips - Stainless Steel

Stainless steel universal clips for mounting stainless steel pipes to the wall or ceiling.

- Stainless steel AISI 316 (1.4401 according to EN 10088).
- Suitable for short-distance mounting.
- Safety margin for minimal breaking load (V) = 3.
- Connection: M 8/10.


| Type | Ø Pipe | | Strip dimensions [mm] | Max. working load [N] |  | Order Code |
|-------------------|----------|----------------|-----------------------|-----------------------|---|------------|
| | Nom. ["] | Ext. dia. [mm] | | | | |
| BRS 8 - 10 SST | 1/8" | 8 - 10 | 20 / 1.5 | 1000 | 50 | 38475 |
| BRS 12 - 14 SST | 1/4" | 12 - 14 | 20 / 1.5 | 1000 | 50 | 38476 |
| BRS 15 - 19 SST | 3/8" | 15 - 19 | 20 / 1.5 | 1000 | 50 | 38477 |
| BRS 20 - 25 SST | 1/2" | 20 - 25 | 20 / 1.5 | 1000 | 50 | 38478 |
| BRS 26 - 30 SST | 3/4" | 26 - 30 | 20 / 1.5 | 1000 | 50 | 38479 |
| BRS 32 - 36 SST | 1" | 32 - 36 | 20 / 1.5 | 1000 | 50 | 38480 |
| BRS 38 - 43 SST | 1 1/4" | 38 - 43 | 20 / 1.5 | 1000 | 50 | 38481 |
| BRS 44 - 49 SST | 1 1/2" | 44 - 49 | 20 / 1.5 | 1000 | 50 | 38482 |
| BRS 50 - 55 SST | - | 50 - 55 | 20 / 1.5 | 1000 | 50 | 38483 |
| BRS 56 - 61 SST | 2" | 56 - 61 | 20 / 1.5 | 1000 | 50 | 38484 |
| BRS 62 - 67 SST | - | 62 - 67 | 20 / 2.0 | 1000 | 50 | 38485 |
| BRS 68 - 73 SST | - | 68 - 73 | 20 / 2.0 | 1300 | 50 | 38486 |
| BRS 75 - 80 SST | 2 1/2" | 75 - 80 | 20 / 2.0 | 1300 | 50 | 38487 |
| BRS 82 - 86 SST | - | 82 - 86 | 20 / 2.0 | 1300 | 50 | 38488 |
| BRS 87 - 92 SST | 3" | 87 - 92 | 20 / 2.0 | 1300 | 50 | 38489 |
| BRS 95 - 102 SST | 3 1/2" | 95 - 102 | 20 / 2.5 | 2150 | 50 | 38490 |
| BRS 108 - 116 SST | 4" | 108 - 116 | 20 / 2.5 | 2150 | 25 | 38491 |
| BRS 121 - 127 SST | - | 121 - 127 | 20 / 2.5 | 2150 | 25 | 38492 |
| BRS 131 - 141 SST | 5" | 131 - 141 | 20 / 2.5 | 2150 | 25 | 38493 |
| BRS 159 - 163 SST | - | 159 - 163 | 20 / 2.5 | 2150 | 25 | 38494 |
| BRS 165 - 169 SST | 6" | 165 - 169 | 20 / 2.5 | 2150 | 25 | 38495 |
| BRS 192 - 202 SST | - | 192 - 202 | 20 / 3.0 | 2150 | 25 | 38496 |
| BRS 210 - 220 SST | 8" | 210 - 220 | 20 / 3.0 | 2150 | 25 | 38497 |



BSF Clips - Stainless Steel

Stainless steel universal clips for mounting stainless steel pipes to the wall or ceiling.

- Stainless steel AISI 316 (1.4401 according to EN 10088).
- Safety margin for minimal breaking load (V) = 3.
- Connection: G 1/2" M (BSP) / M 10.

| Type | Ø Pipe | | Strip dimensions [mm] | Max. working load [N] |  | Order Code |
|-------------------------|----------|----------------|-----------------------|-----------------------|---|------------|
| | Nom. ["] | Ext. dia. [mm] | | | | |
| BSF - SST 13 - 17.5 | 3/8" | 13 - 17.5 | 20 / 2.5 | 1650 | 50 | 51851 |
| BSF - SST 21 - 25.5 | 1/2" | 21 - 25.5 | 20 / 2.5 | 1650 | 50 | 51852 |
| BSF - SST 26.5 - 30.5 | 3/4" | 26.5 - 30.5 | 20 / 2.5 | 1650 | 50 | 51853 |
| BSF - SST 33.5 - 38.5 | 1" | 33.5 - 38.5 | 20 / 2.5 | 1650 | 50 | 51854 |
| BSF - SST 41.5 - 47 | 1 1/4" | 41.5 - 47 | 20 / 2.5 | 1650 | 50 | 51855 |
| BSF - SST 48 - 54 | 1 1/2" | 48 - 54 | 20 / 2.5 | 1650 | 50 | 51856 |
| BSF - SST 56 - 62.5 | 2" | 56 - 62.5 | 20 / 2.5 | 1650 | 50 | 51857 |
| BSF - SST 69.5 - 76.5 | 2 1/2" | 69.5 - 76.5 | 20 / 2.5 | 1650 | 50 | 51859 |
| BSF - SST 82 - 85 | - | 82 - 85 | 25 / 3.0 | 1650 | 25 | 51860 |
| BSF - SST 89 - 90 | 3" | 89 - 90 | 25 / 3.0 | 1650 | 25 | 51861 |
| BSF - SST 99 - 102 | - | 99 - 102 | 25 / 3.0 | 3000 | 25 | 51862 |
| BSF - SST 109 - 112 | - | 109 - 112 | 25 / 3.0 | 3000 | 25 | 51863 |
| BSF - SST 113 - 116 | 4" | 113 - 116 | 25 / 3.0 | 3000 | 25 | 51864 |
| BSF - SST 117 - 121 | - | 117 - 121 | 25 / 3.0 | 3000 | 25 | 51865 |
| BSF - SST 125 - 129 | - | 125 - 129 | 25 / 3.0 | 3000 | 25 | 51866 |
| BSF - SST 133 - 135 | - | 133 - 135 | 30 / 3.0 | 4000 | 25 | 51867 |
| BSF - SST 143.5 - 150.5 | - | 143.5 - 150.5 | 30 / 3.0 | 4000 | 25 | 51868 |
| BSF - SST 151.5 - 159.5 | - | 151.5 - 159.5 | 30 / 3.0 | 4000 | 25 | 51869 |
| BSF - SST 163.5 - 171.5 | 6" | 163.5 - 171.5 | 30 / 3.0 | 4000 | 25 | 51870 |
| BSF - SST 172.5 - 182 | - | 172.5 - 182 | 30 / 3.0 | 4000 | 25 | 51871 |
| BSF - SST 192.5 - 198 | - | 192.5 - 198 | 30 / 3.0 | 4000 | 25 | 51872 |
| BSF - SST 215 - 220 | 8" | 215 - 220 | 30 / 3.0 | 4000 | 25 | 51873 |

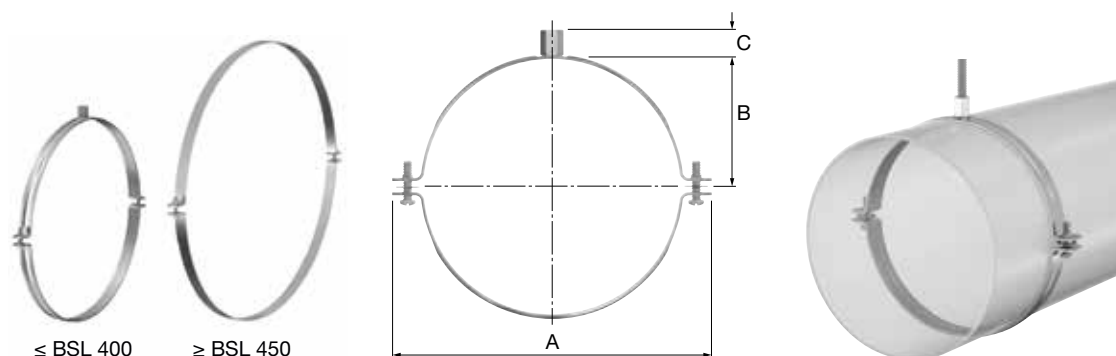


FOR AIR DUCT FIXING

BSL Clips

BSL clips are especially designed for mounting circular air duct work to the wall or ceiling.

- Suitable for spiral tubing.
- Possibility of a low built-in height.
- Robust, durable two-piece clip.
- Sendzimir zinc-plated.
- Dimensions:
63 - 400: with fastening hook and connection M 8/10.
450 - 1250: hexagonal side closure with bolt/nut (M 8 x 35).

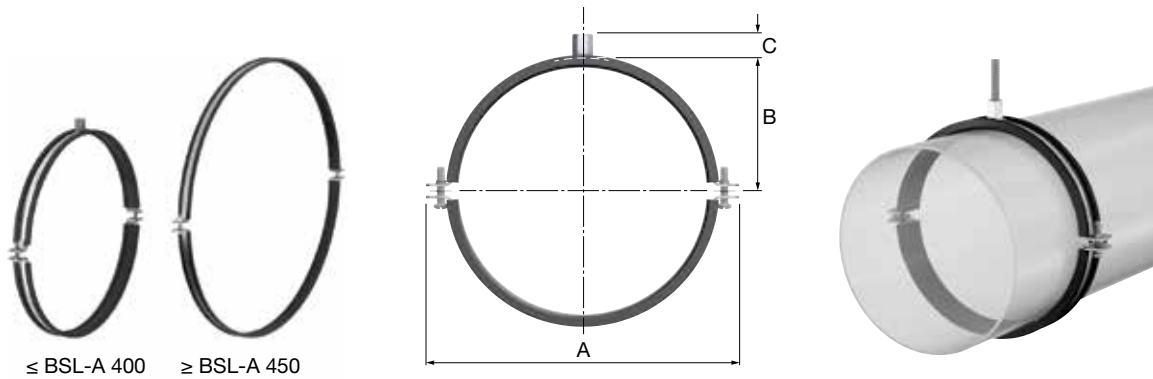


| Type | Ø Pipe int. dia. [mm] | Max. working load [N] | Strip dimensions [mm] | Side-mounted connections | Dimensions | | | | Order Code |
|----------|-----------------------|-----------------------|-----------------------|--------------------------|------------|--------|--------|----|------------|
| | | | | | A [mm] | B [mm] | C [mm] | | |
| BSL 63 | 63 | 850 | 20 x 2.0 | M 6 x 25 | 102 | 35 | 18 | 50 | 39929 |
| BSL 71 | 71 | 850 | 20 x 2.0 | M 6 x 25 | 110 | 39 | 18 | 50 | 39900 |
| BSL 80 | 80 | 850 | 20 x 1.5 | M 6 x 25 | 124 | 43 | 18 | 50 | 39901 |
| BSL 90 | 90 | 850 | 20 x 2.0 | M 6 x 25 | 130 | 48 | 18 | 50 | 39902 |
| BSL 100 | 100 | 850 | 20 x 1.5 | M 6 x 25 | 144 | 53 | 18 | 25 | 39903 |
| BSL 112 | 112 | 850 | 20 x 1.5 | M 6 x 25 | 156 | 59 | 18 | 25 | 39904 |
| BSL 125 | 125 | 850 | 20 x 1.5 | M 6 x 25 | 169 | 66 | 18 | 25 | 39905 |
| BSL 140 | 140 | 850 | 20 x 1.5 | M 6 x 25 | 184 | 73 | 18 | 25 | 39906 |
| BSL 150 | 150 | 850 | 20 x 1.5 | M 6 x 25 | 194 | 78 | 18 | 25 | 39907 |
| BSL 160 | 160 | 850 | 20 x 1.5 | M 6 x 25 | 204 | 84 | 18 | 25 | 39908 |
| BSL 180 | 180 | 850 | 20 x 1.5 | M 6 x 25 | 224 | 94 | 18 | 25 | 39909 |
| BSL 200 | 200 | 850 | 20 x 1.5 | M 6 x 25 | 244 | 104 | 18 | 25 | 39910 |
| BSL 224 | 224 | 850 | 20 x 1.5 | M 6 x 25 | 268 | 116 | 18 | 25 | 39911 |
| BSL 250 | 250 | 850 | 20 x 1.5 | M 6 x 25 | 294 | 129 | 18 | 25 | 39912 |
| BSL 280 | 280 | 850 | 20 x 1.5 | M 6 x 25 | 324 | 144 | 18 | 25 | 39913 |
| BSL 300 | 300 | 850 | 20 x 1.5 | M 6 x 25 | 344 | 154 | 18 | 25 | 39914 |
| BSL 315 | 315 | 850 | 20 x 1.5 | M 6 x 25 | 359 | 161 | 18 | 25 | 39915 |
| BSL 355 | 355 | 850 | 20 x 1.5 | M 6 x 40 | 399 | 181 | 18 | 25 | 39916 |
| BSL 400 | 400 | 850 | 20 x 1.5 | M 6 x 40 | 444 | 204 | 18 | 25 | 39917 |
| BSL 450 | 450 | 2500 | 25 x 2.5 | M 8 x 35 * | 515 | 230 | - | 1 | 39918 |
| BSL 500 | 500 | 2500 | 25 x 2.5 | M 8 x 35 * | 565 | 255 | - | 1 | 39919 |
| BSL 560 | 560 | 2500 | 25 x 2.5 | M 8 x 35 * | 625 | 285 | - | 1 | 39920 |
| BSL 600 | 600 | 2500 | 25 x 2.5 | M 8 x 35 * | 665 | 306 | - | 1 | 39928 |
| BSL 630 | 630 | 2500 | 25 x 2.5 | M 8 x 35 * | 695 | 321 | - | 1 | 39921 |
| BSL 710 | 710 | 2500 | 25 x 2.5 | M 8 x 35 * | 775 | 361 | - | 1 | 39922 |
| BSL 800 | 800 | 2500 | 25 x 2.5 | M 8 x 35 * | 865 | 406 | - | 1 | 39923 |
| BSL 900 | 900 | 2500 | 25 x 2.5 | M 8 x 35 * | 965 | 456 | - | 1 | 39924 |
| BSL 1000 | 1000 | 2500 | 25 x 2.5 | M 8 x 35 * | 1065 | 506 | - | 1 | 39925 |
| BSL 1120 | 1120 | 2500 | 25 x 3.0 | M 8 x 35 * | 1185 | 566 | - | 1 | 39926 |
| BSL 1250 | 1250 | 2500 | 25 x 3.0 | M 8 x 35 * | 1315 | 631 | - | 1 | 39927 |

* Bolt and nut.

BSL-A Clips

- Similar to the BSL clip but equipped with noise-suppressing EPDM rubber lining.
- With noise-suppressing rubber lining.
- Suitable for temperatures -40 °C to +100 °C.



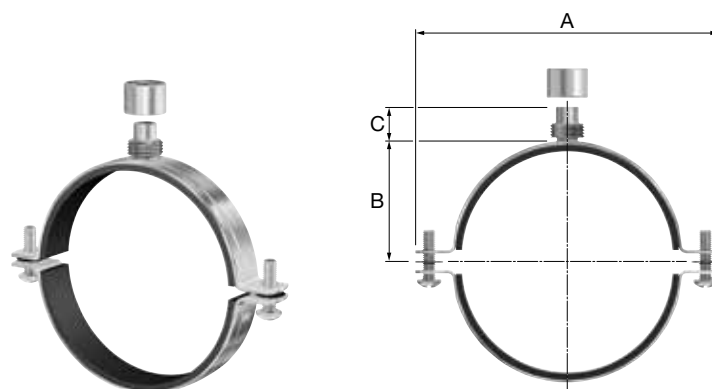
| Type | Ø Pipe int. dia. [mm] | Max. working load [N] | Strip dimensions [mm] | Side-mounted connections | Dimensions | | | | Order Code |
|------------|-----------------------|-----------------------|-----------------------|--------------------------|------------|--------|--------|----|------------|
| | | | | | A [mm] | B [mm] | C [mm] | | |
| BSL-A 71 | 71 | 850 | 20 x 2.0 | M 6 x 25 | 120 | 42 | 18 | 50 | 39950 |
| BSL-A 80 | 80 | 850 | 20 x 1.5 | M 6 x 25 | 128 | 47 | 18 | 50 | 39951 |
| BSL-A 90 | 90 | 850 | 20 x 2.0 | M 6 x 25 | 141 | 52 | 18 | 50 | 39952 |
| BSL-A 100 | 100 | 850 | 20 x 1.5 | M 6 x 25 | 150 | 57 | 18 | 25 | 39953 |
| BSL-A 112 | 112 | 850 | 20 x 1.5 | M 6 x 25 | 170 | 63 | 18 | 25 | 39954 |
| BSL-A 125 | 125 | 850 | 20 x 1.5 | M 6 x 25 | 185 | 69 | 18 | 25 | 39955 |
| BSL-A 140 | 140 | 850 | 20 x 1.5 | M 6 x 25 | 195 | 77 | 18 | 25 | 39956 |
| BSL-A 150 | 150 | 850 | 20 x 1.5 | M 6 x 25 | 205 | 82 | 18 | 25 | 39957 |
| BSL-A 160 | 160 | 850 | 20 x 1.5 | M 6 x 25 | 215 | 87 | 18 | 25 | 39958 |
| BSL-A 180 | 180 | 850 | 20 x 1.5 | M 6 x 25 | 240 | 97 | 18 | 25 | 39959 |
| BSL-A 200 | 200 | 850 | 20 x 1.5 | M 6 x 25 | 265 | 107 | 18 | 25 | 39960 |
| BSL-A 224 | 224 | 850 | 20 x 1.5 | M 6 x 25 | 277 | 119 | 18 | 25 | 39961 |
| BSL-A 250 | 250 | 850 | 20 x 1.5 | M 6 x 25 | 303 | 132 | 18 | 25 | 39962 |
| BSL-A 280 | 280 | 850 | 20 x 1.5 | M 6 x 25 | 333 | 147 | 18 | 25 | 39963 |
| BSL-A 300 | 300 | 850 | 20 x 1.5 | M 6 x 25 | 353 | 157 | 18 | 25 | 39964 |
| BSL-A 315 | 315 | 850 | 20 x 1.5 | M 6 x 25 | 368 | 165 | 18 | 25 | 39965 |
| BSL-A 355 | 355 | 850 | 20 x 1.5 | M 6 x 40 | 408 | 185 | 18 | 25 | 39966 |
| BSL-A 400 | 400 | 850 | 20 x 1.5 | M 6 x 40 | 453 | 207 | 18 | 25 | 39967 |
| BSL-A 450 | 450 | 2500 | 25 x 2.5 | M 8 x 35 * | 514 | 233 | - | 1 | 39968 |
| BSL-A 500 | 500 | 2500 | 25 x 2.5 | M 8 x 35 * | 564 | 258 | - | 1 | 39969 |
| BSL-A 560 | 560 | 2500 | 25 x 2.5 | M 8 x 35 * | 624 | 288 | - | 1 | 39970 |
| BSL-A 600 | 600 | 2500 | 25 x 2.5 | M 8 x 35 * | 664 | 309 | - | 1 | 39978 |
| BSL-A 630 | 630 | 2500 | 25 x 2.5 | M 8 x 35 * | 694 | 324 | - | 1 | 39971 |
| BSL-A 710 | 710 | 2500 | 25 x 2.5 | M 8 x 35 * | 774 | 364 | - | 1 | 39972 |
| BSL-A 800 | 800 | 2500 | 25 x 2.5 | M 8 x 35 * | 864 | 409 | - | 1 | 39973 |
| BSL-A 900 | 900 | 2500 | 25 x 2.5 | M 8 x 35 * | 964 | 459 | - | 1 | 39974 |
| BSL-A 1000 | 1000 | 2500 | 25 x 2.5 | M 8 x 35 * | 1064 | 509 | - | 1 | 39975 |
| BSL-A 1120 | 1120 | 2500 | 25 x 3.0 | M 8 x 35 * | 1184 | 569 | - | 1 | 39976 |
| BSL-A 1250 | 1250 | 2500 | 25 x 3.0 | M 8 x 35 * | 1314 | 634 | - | 1 | 39977 |

* Bolt and nut.



RSL-G Clips

- Heavy Duty clip.
- With a combined G ½" M (BSP) / M 8/10 connection + G ½" F (BSP) sleeve for flexible and versatile mounting options.
- Suitable for air ducts and / or plastic pipes.
- The RSL-G clip is universally applicable.
- Electrolytically zinc-plated.



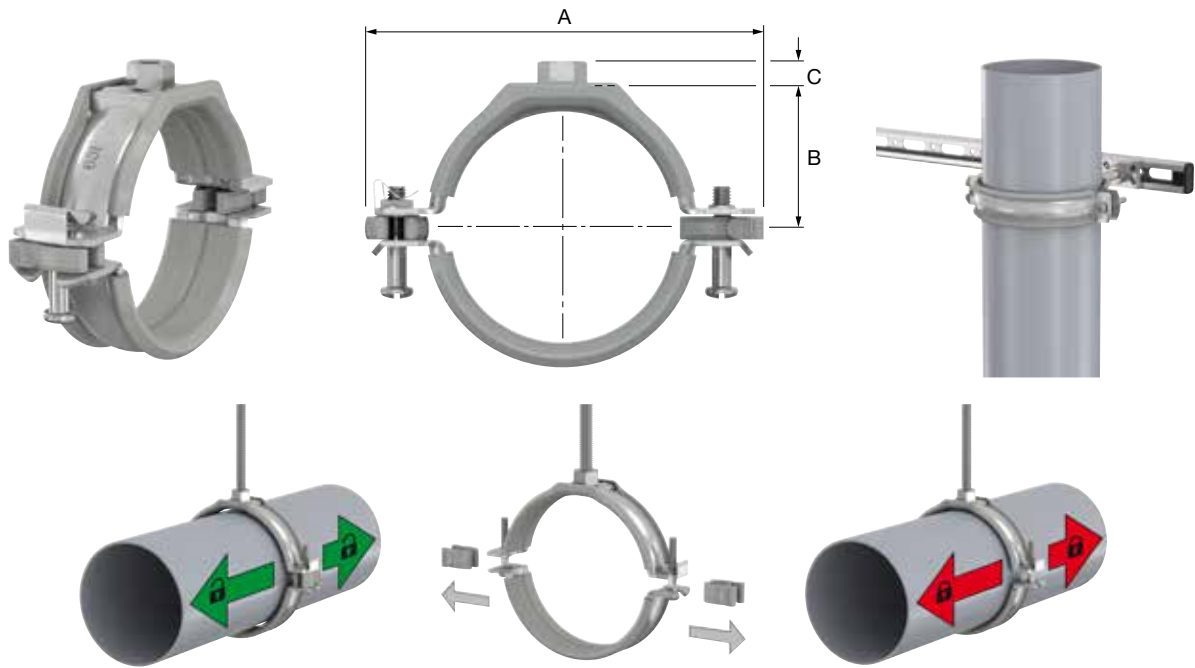
| Type | Ø Pipe external [mm] | Strip dimensions [mm] | Side-mounted connections | Max. working load [N] | Dimensions | | | | Order Code |
|----------------------------|----------------------|-----------------------|--------------------------|-----------------------|------------|--------|--------|----|------------|
| | | | | | A [mm] | B [mm] | C [mm] | | |
| RSL-G ½ M+F / M 8/10 x 80 | 80 | 20 x 2.5 | M 6 x 20 | 1650 | 140 | 48 | 22 | 50 | 52701 |
| RSL-G ½ M+F / M 8/10 x 100 | 100 | 25 x 2.5 | M 8 x 30 | 1650 | 160 | 58 | 22 | 25 | 52702 |
| RSL-G ½ M+F / M 8/10 x 125 | 125 | 25 x 2.5 | M 8 x 30 | 3000 | 185 | 71 | 22 | 25 | 52703 |
| RSL-G ½ M+F / M 8/10 x 150 | 150 | 30 x 3.0 | M 8 x 30 | 3000 | 210 | 83 | 22 | 25 | 52704 |
| RSL-G ½ M+F / M 8/10 x 160 | 160 | 30 x 3.0 | M 8 x 30 | 3000 | 220 | 88 | 22 | 25 | 52705 |
| RSL-G ½ M+F / M 8/10 x 180 | 180 | 30 x 2.0 | Hex bolts M 8 | 3000 | 240 | 98 | 22 | 10 | 52707 |
| RSL-G ½ M+F / M 8/10 x 200 | 200 | 30 x 2.0 | Hex bolts M 8 | 3000 | 260 | 108 | 22 | 10 | 52708 |
| RSL-G ½ M+F / M 8/10 x 225 | 225 | 30 x 2.0 | Hex bolts M 8 | 3000 | 285 | 121 | 22 | 10 | 52709 |
| RSL-G ½ M+F / M 8/10 x 250 | 250 | 30 x 2.0 | Hex bolts M 8 | 3000 | 310 | 133 | 22 | 10 | 52710 |
| RSL-G ½ M+F / M 8/10 x 280 | 280 | 30 x 2.0 | Hex bolts M 8 | 3000 | 340 | 148 | 22 | 10 | 52711 |
| RSL-G ½ M+F / M 8/10 x 300 | 300 | 30 x 2.0 | Hex bolts M 8 | 3000 | 360 | 158 | 22 | 10 | 52712 |
| RSL-G ½ M+F / M 8/10 x 315 | 315 | 30 x 2.0 | Hex bolts M 8 | 3000 | 375 | 166 | 22 | 10 | 52713 |
| RSL-G ½ M+F / M 8/10 x 350 | 350 | 30 x 2.0 | Hex bolts M 8 | 3000 | 410 | 186 | 22 | 10 | 52714 |
| RSL-G ½ M+F / M 8/10 x 355 | 355 | 30 x 2.0 | Hex bolts M 8 | 3000 | 415 | 186 | 22 | 1 | 52715 |
| RSL-G ½ M+F / M 8/10 x 400 | 400 | 34 x 3.0 | Hex bolts M 8 | 3000 | 460 | 208 | 22 | 1 | 52716 |
| RSL-G ½ M+F / M 8/10 x 450 | 450 | 34 x 3.0 | Hex bolts M 8 | 3000 | 510 | 233 | 22 | 1 | 52717 |
| RSL-G ½ M+F / M 8/10 x 500 | 500 | 34 x 3.0 | Hex bolts M 8 | 3000 | 560 | 258 | 22 | 1 | 52718 |

FOR PLASTIC PIPES

BSK-I Clips

Dedicated clips for plastic pipes with special TPE (ThermoPlastic Elastomer) lining. The BSK-I clip has easily removable plastic spacers between the two clip halves and can be transformed into a clenching clip without the need for tools.

- Special TPE lining with excellent low friction properties.
- Transformable from sliding to clamping with easily removable spacer.
- Fast assembly thanks to the patented click-spring locking system.
- Noise reduction: 20 dB(A) with spacer, 18 dB(A) without spacer.
To achieve maximum sound suppression do not overload the fitting.
- UV resistant.



| Type | Ø Pipe ext. dia. [mm] | Strip dimensions [mm] | Connection | Max. working load [N] | Dimensions | | | | Order Code |
|------------------|-----------------------|-----------------------|------------|-----------------------|------------|--------|--------|----|------------|
| | | | | | A [mm] | B [mm] | C [mm] | | |
| BSK-I M 8 x 16 | 16 | 28 x 1.5 | M 8 | 1300 | 64 | 16 | 8 | 50 | 37300 |
| BSK-I M 8 x 20 | 20 | 28 x 1.5 | M 8 | 1300 | 68 | 19 | 8 | 50 | 37301 |
| BSK-I M 8 x 25 | 25 | 28 x 1.5 | M 8 | 1300 | 74 | 21 | 8 | 50 | 37302 |
| BSK-I M 8 x 32 | 32 | 28 x 1.5 | M 8 | 1300 | 81 | 26 | 8 | 50 | 37303 |
| BSK-I M 8 x 40 | 40 | 28 x 1.5 | M 8 | 1300 | 89 | 29 | 8 | 50 | 37304 |
| BSK-I M 8 x 50 | 50 | 28 x 1.5 | M 8 | 1300 | 99 | 34 | 8 | 50 | 37305 |
| BSK-I M 8 x 56 | 56 | 28 x 2.0 | M 8 | 1300 | 105 | 37 | 8 | 50 | 37306 |
| BSK-I M 8 x 63 | 63 | 28 x 2.0 | M 8 | 1300 | 114 | 40 | 8 | 50 | 37307 |
| BSK-I M 8 x 75 | 75 | 28 x 2.0 | M 8 | 2000 | 125 | 47 | 8 | 50 | 37309 |
| BSK-I M 8 x 90 | 90 | 28 x 2.0 | M 8 | 2000 | 138 | 50 | 8 | 50 | 37311 |
| BSK-I M 8 x 110 | 110 | 28 x 2.5 | M 8 | 2000 | 157 | 61 | 8 | 25 | 37313 |
| BSK-I M 8 x 125 | 125 | 28 x 2.5 | M 8 | 2000 | 174 | 68 | 8 | 25 | 37314 |
| BSK-I M 8 x 160 | 160 | 28 x 2.5 | M 8 | 2000 | 210 | 86 | 8 | 25 | 37316 |
| BSK-I M 8 x 200 | 200 | 28 x 2.5 | M 8 | 2000 | 250 | 106 | 8 | 10 | 37317 |
| BSK-I M 10 x 75 | 75 | 28 x 2.0 | M 10 | 2000 | 125 | 47 | 10 | 50 | 37359 |
| BSK-I M 10 x 90 | 90 | 28 x 2.0 | M 10 | 2000 | 138 | 50 | 10 | 50 | 37361 |
| BSK-I M 10 x 110 | 110 | 28 x 2.5 | M 10 | 2000 | 157 | 61 | 10 | 25 | 37363 |
| BSK-I M 10 x 125 | 125 | 28 x 2.5 | M 10 | 2000 | 174 | 68 | 10 | 25 | 37364 |
| BSK-I M 10 x 160 | 160 | 28 x 2.5 | M 10 | 2000 | 210 | 86 | 10 | 25 | 37366 |
| BSK-I M 10 x 200 | 200 | 28 x 2.5 | M 10 | 2000 | 250 | 106 | 10 | 10 | 37367 |
| BSK-I M 10 x 250 | 250 | 28 x 3.0 | M 10 | 2000 | 301 | 132 | 10 | 10 | 37368 |
| BSK-I M 10 x 315 | 315 | 28 x 3.0 | M 10 | 2000 | 366 | 164 | 10 | 10 | 37369 |



Mounting Chilled Water Pipes Made Easy with Flamco Insulated Pipe Clips

In chilled systems pipe clips can contribute to thermal losses thereby compromising the efficiency of the system. Thermal energy is transferred from the pipe to the supporting clips due to thermal conduction.

A simple solution is to use Flamco vapour proof insulated pipe clips that can be bonded as an integral part of the pipe insulation. Flamco produces an extensive range of insulated mounting materials for chilled system pipework. CA, CB and CC clips offer a choice of vapour proof insulating materials, clip type and closing mechanism.



CA Benefits:

- Fitted with elastomer insulation.
- The insulation is an integral part of the clip.
- Hook shape allows easy pre-mounting of pipework.
- The pipe is supported during installation to allow final adjustments.
- Insulation and clip width are identical, with a view to attaining 'precision' bonding.

CB Benefits:

- Suitable for mounting of chilled water pipes with soft thermal insulation.
- Fitted with elastomer insulation and PVC sleeve.
- Universal clip with M8/10 combi nut.
- Ease of installation by quick closing mechanism.
- The bolts are designed not to fall out during installation.

CC Benefits:

- Suitable for mounting chilled water pipes with PIR insulation to the ceiling or wall.
- Hard PIR insulation with aluminium shield.
- Universal clip with M8/10 combi nut.
- Ease of installation by quick closing mechanism.
- The bolts are designed not to fall out during installation.

Table for Selecting the Appropriate CA, CB or CC Clip

| Steel pipe EN 10255 | | Steel pipe (welded / seamless) EN 10220 | | Copper pipe EN 1057 | Plastic pipe | CA | | | CB | | CC | |
|------------------------|--------|--|--------------|---------------------------|-----------------|------------------------------|------------|------------|------------|------------|------------|------------|
| Pipe dimension | | | | | | Nominal Insulation thickness | | | | | | |
| Ø [inch] | Ø [mm] | Ø [DN] | Ø [mm] | Ø [mm] | Ø [mm] | 9 | 13 | 19 | 13 | 19 | 30 | 40 |
| | | | | | | Order Code | Order Code | Order Code | Order Code | Order Code | Order Code | Order Code |
| | | | | 10 | | | | | 39847 | | | |
| | | | | 12 | | | | | 39848 | | | |
| | | 8 | 13.5 | 15 | | 39800 | 39810 | 39820 | 39870 | | 39770 | 39850 |
| 3/8 | 17.2 | 10 | 16 17.2 | 18 | 16 | 39801 | 39811 | 39821 | 39871 | 39886 | 39771 | 39851 |
| 1/2 | 21.3 | 15 | 20 21.3 | 22 | 20 | 39802 | 39812 | 39822 | 39872 | 39887 | 39772 | 39852 |
| 3/4 | 26.9 | 20 | 25 26.9 | 28 | 25 | 39803 | 39813 | 39823 | 39873 | 39888 | 39773 | 39853 |
| 1 | 33.7 | 25 | 31.8 33.7 | 35 | 32 | 39804 | 39814 | 39824 | 39874 | 39889 | 39774 | 39854 |
| 1 1/4 | 42.4 | 32 | 42.4 | 42 | 40 | 39805 | 39815 | 39825 | 39875 | 39890 | 39775 | 39855 |
| 1 1/2 | 48.3 | 40 | 48.3 | 50 | 50 | 39806 | 39816 | 39826 | 39876 | 39891 | 39776 | 39856 |
| | | | 51 | 54 | | 39807 | 39817 | 39827 | 39841 | 39897 | 39777 | 39857 |
| | | | 57 | | | | | | | | 39778 | 39858 |
| 2 | 60.3 | 50 | 60.3 | | | 39808 | 39818 | 39828 | 39877 | 39892 | 39779 | 39859 |
| | | | 63.5 | 64 | 63 | | | | 39843 | 39898 | | |
| | | | 70 | | | | | | | | 39780 | 39860 |
| 2 1/2 | 76.1 | 65 | 76.1 | 76.1 | 75 | 39809 | 39819 | 39829 | 39878 | 39893 | 39781 | 39861 |
| 3 | 88.9 | 80 | 88.9 | 88.9 | 90 | | | 39830 | 39879 | 39894 | 39782 | 39862 |
| | | | 108 | 108 | | | | | | | 39783 | 39863 |
| 4 | 114.3 | 100 | 114.3 | | 110 | | | 39831 | 39880 | 39895 | 39784 | 39864 |
| | | | 133 | 133 | | | | | | | 39785 | 39865 |
| 5 | 139.7 | 125 | 139.7 | | | | | 39832 | | | 39786 | 39866 |
| 6 | 165.1 | | | | | | | 39833 | | | | |
| 8 | 219 | 200 | 219.1 | | | | | 39834 | | | | |



CA



CB



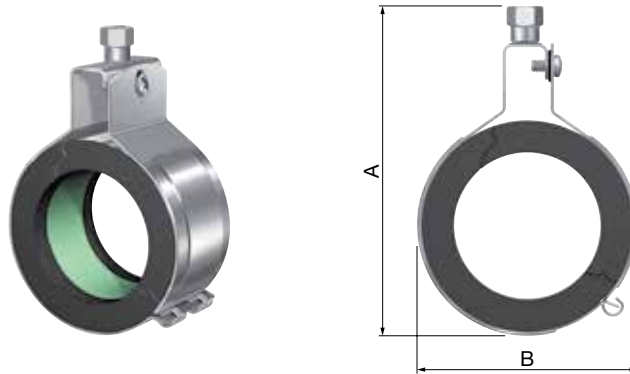
CC

FOR CHILLED WATER PIPES

CA Clips - 9 mm

For mounting pipework with an elastomer insulation to the wall or ceiling to prevent thermal losses.

- Clip: Electrolytically zinc-plated.
- Insulation: 9 mm elastomeric foam with PIR core and coated with an aluminum foil.
- Clip and pipework insulation form an integral component.
- 'Hook' shape allows easy pre-mounting of pipe.
- Pipe can still be moved positioned after pre-mounting.
- Easy to glue bond with pipework insulation. No thermal bridge.
- Connection: M 8/10.
- Insulation width: 50 mm.
- Clips fitted with a retaining ring.
- PIR density 120 kg/m³, PIR pressure resistance 1.3 N/mm².
- Suitable for temperatures -45 °C to +105 °C.
- Thermal conductivity: maximal 0.036 W/(m.K).
- Vapour permeability: 7,000 μ.
- Fire rating B2 according to DIN 4102/1.
- Fire rating B1 according to DIN 4102/1 as part of a system with tubes, elastomer insulation.



| Type | Ø Pipe | | Strip dimensions [mm] | Max. working load * | | Dimensions | | | Order Code |
|-------------------|----------------|----------|-----------------------|---------------------|----------|------------|--------|----|------------|
| | Ext. dia. [mm] | Nom. ["] | | Ceiling [N] | Wall [N] | A [mm] | B [mm] | | |
| CA 9 x 15 | 15 | - | 50 x 1.5 | 145 | 55 | 84.5 | 41.0 | 25 | 39800 |
| CA 9 x 18 - 3/8 | 18 | 3/8 | 50 x 1.5 | 175 | 55 | 84.5 | 41.0 | 25 | 39801 |
| CA 9 x 22 - 1/2 | 22 | 1/2 | 50 x 1.5 | 210 | 50 | 90.5 | 47.0 | 25 | 39802 |
| CA 9 x 28 - 3/4 | 28 | 3/4 | 50 x 1.5 | 270 | 50 | 96.5 | 53.0 | 25 | 39803 |
| CA 9 x 35 - 1 | 35 | 1 | 50 x 1.5 | 340 | 50 | 103.5 | 60.0 | 25 | 39804 |
| CA 9 x 42 - 1 1/4 | 42 | 1 1/4 | 50 x 1.5 | 400 | 45 | 111.5 | 68.0 | 25 | 39805 |
| CA 9 x 48 - 1 1/2 | 48 | 1 1/2 | 50 x 1.5 | 460 | 40 | 118.5 | 75.0 | 25 | 39806 |
| CA 9 x 54 | 54 | - | 50 x 2.0 | 520 | 65 | 132.0 | 83.0 | 25 | 39807 |
| CA 9 x 60 - 2 | 60 | 2 | 50 x 2.0 | 585 | 60 | 138.5 | 90.0 | 25 | 39808 |
| CA 9 x 76 - 2 1/2 | 76 | 2 1/2 | 50 x 2.0 | 740 | 50 | 154.0 | 104.5 | 25 | 39809 |

* The max. working load will be determined by the PIR insulation.

CA Clips - 13 mm

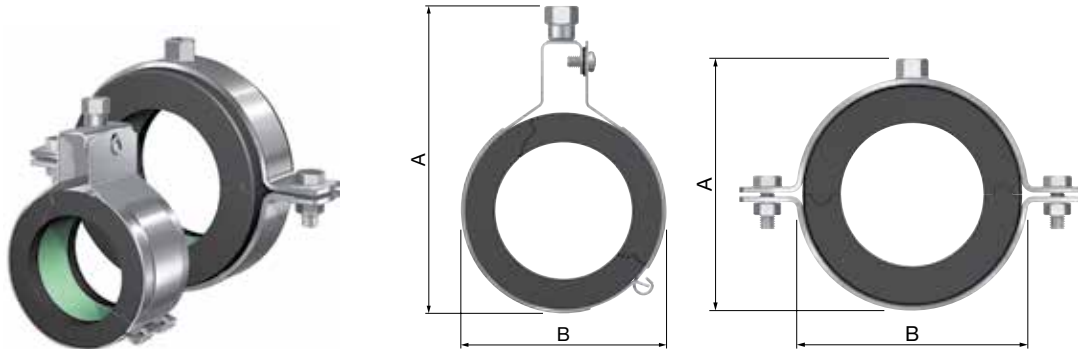
- Similar to CA clips - 9 mm, but with 13 mm elastomer insulation.

| Type | Ø Pipe | | Strip dimensions [mm] | Max. working load * | | Dimensions | | | Order Code |
|--------------------|----------------|----------|-----------------------|---------------------|----------|------------|--------|----|------------|
| | Ext. dia. [mm] | Nom. ["] | | Ceiling [N] | Wall [N] | A [mm] | B [mm] | | |
| CA 13 x 15 | 15 | - | 50 x 1.5 | 145 | 50 | 90.5 | 47 | 25 | 39810 |
| CA 13 x 18 - 3/8 | 18 | 3/8 | 50 x 1.5 | 175 | 50 | 90.5 | 47 | 25 | 39811 |
| CA 13 x 22 - 1/2 | 22 | 1/2 | 50 x 1.5 | 210 | 50 | 96.5 | 53 | 25 | 39812 |
| CA 13 x 28 - 3/4 | 28 | 3/4 | 50 x 1.5 | 270 | 50 | 103.5 | 60 | 25 | 39813 |
| CA 13 x 35 - 1 | 35 | 1 | 50 x 1.5 | 340 | 45 | 111.5 | 68 | 25 | 39814 |
| CA 13 x 42 - 1 1/4 | 42 | 1 1/4 | 50 x 1.5 | 400 | 40 | 118.5 | 75 | 25 | 39815 |
| CA 13 x 48 - 1 1/2 | 48 | 1 1/2 | 50 x 1.5 | 460 | 65 | 132.0 | 83 | 25 | 39816 |
| CA 13 x 54 | 54 | - | 50 x 1.5 | 520 | 60 | 138.5 | 90 | 25 | 39817 |
| CA 13 x 60 - 2 | 60 | 2 | 50 x 1.5 | 585 | 50 | 146.0 | 97 | 25 | 39818 |
| CA 13 x 76 - 2 1/2 | 76 | 2 1/2 | 50 x 1.5 | 740 | 45 | 160.5 | 112 | 25 | 39819 |

* The max. working load will be determined by the PIR insulation.

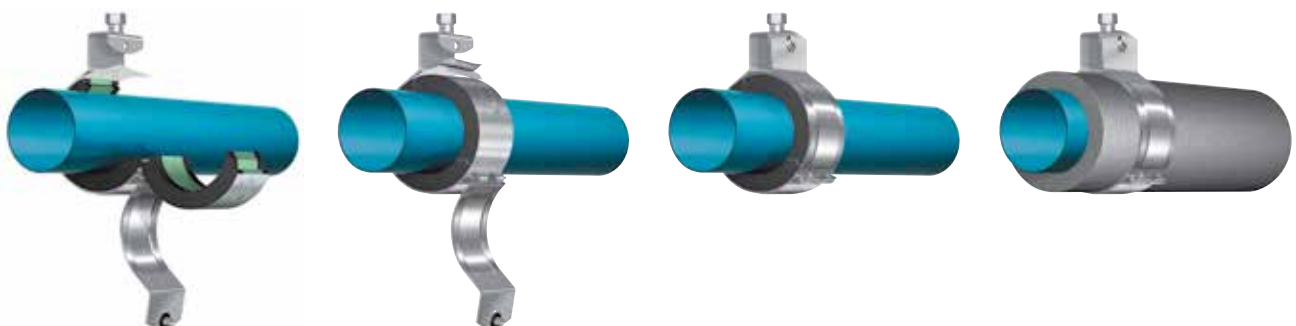
CA Clips - 19 mm

- Similar to CA clips - 9 mm, but with 19 mm elastomer insulation.
- Connection: M 8/10, above 2 1/2": M 12.
- Insulation width: 50 mm, above 140-5": 100 mm.



| Type | Ø Pipe | | Strip dimensions [mm] | Max. working load * | | Dimensions | | Order Code | |
|--------------------|----------------|----------|-----------------------|---------------------|----------|------------|--------|------------|-------|
| | Ext. dia. [mm] | Nom. ["] | | Ceiling [N] | Wall [N] | A [mm] | B [mm] | | |
| CA 19 x 15 | 15 | - | 50 x 1.5 | 145 | 50 | 103.5 | 60.0 | 25 | 39820 |
| CA 19 x 18 - 3/8 | 18 | 3/8 | 50 x 1.5 | 175 | 50 | 103.5 | 60.0 | 25 | 39821 |
| CA 19 x 22 - 1/2 | 22 | 1/2 | 50 x 1.5 | 210 | 45 | 111.5 | 68.0 | 25 | 39822 |
| CA 19 x 28 - 3/4 | 28 | 3/4 | 50 x 1.5 | 270 | 40 | 118.5 | 75.0 | 25 | 39823 |
| CA 19 x 35 - 1 | 35 | 1 | 50 x 1.5 | 340 | 65 | 132.0 | 83.0 | 25 | 39824 |
| CA 19 x 42 - 1 1/4 | 42 | 1 1/4 | 50 x 1.5 | 400 | 60 | 138.5 | 90.0 | 25 | 39825 |
| CA 19 x 48 - 1 1/2 | 48 | 1 1/2 | 50 x 1.5 | 460 | 50 | 146.0 | 97.0 | 25 | 39826 |
| CA 19 x 54 | 54 | - | 50 x 1.5 | 520 | 50 | 154.0 | 104.5 | 25 | 39827 |
| CA 19 x 60 - 2 | 60 | 2 | 50 x 1.5 | 585 | 45 | 160.5 | 112.0 | 25 | 39828 |
| CA 19 x 76 - 2 1/2 | 76 | 2 1/2 | 50 x 1.5 | 740 | 40 | 178.5 | 130.0 | 25 | 39829 |
| CA 19 x 89 - 3 ** | 89 | 3 | 30 x 4.0 | 850 | - | 159.0 | 146.0 | 10 | 39830 |
| CA 19 x 114 - 4 ** | 114 | 4 | 30 x 4.0 | 1100 | - | 187.0 | 175.0 | 10 | 39831 |
| CA 19 x 140 - 5 ** | 140 | 5 | 50 x 4.0 | 2250 | - | 213.0 | 205.0 | 5 | 39832 |
| CA 19 x 168 - 6 ** | 168 | 6 | 50 x 4.0 | 2700 | - | 231.0 | 223.0 | 5 | 39833 |
| CA 19 x 219 - 8 ** | 219 | 8 | 50 x 4.0 | 3500 | - | 282.0 | 274.0 | 5 | 39834 |

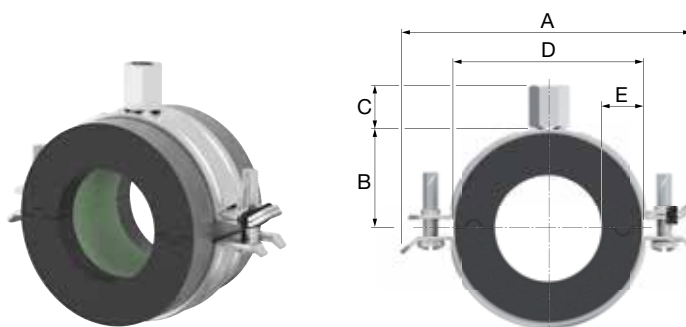
* The max. working load will be determined by the PIR insulation.
 ** Closing system provided with 2 closing screws.



CB Clips - 13 mm

For mounting pipework with an elastomer insulation to the wall or ceiling to prevent thermal losses.

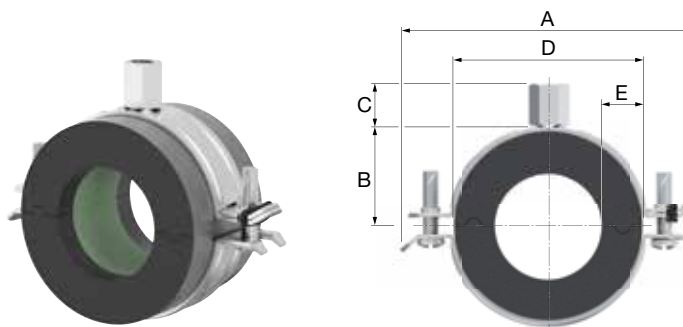
- Clip: Electrolytically zinc-plated.
- Insulation: 13 mm elastomeric foam with a PIR core and coated with a black PVC foil.
- Easy to bond with pipework insulation. No thermal bridge.
- Connection: M 8/10.
- Insulation width: 50 mm.
- All clips are fitted with two cross head screws.
- Clips fitted with quick-locking system and bolts designed not to fall out during installation: all sizes except 114-4".
- Clips fitted with retaining ring: CB 13 x 114-4" and CB 19 x 114-4".
- PIR density 80 kg/m³, PIR pressure resistance 0,52 N/mm²: CB 13 x 10 up to CB 13 x 60-2" and CB 19 x 18 up to CB 19 x 76-2½".
- PIR density 120 kg/m³, PIR pressure resistance 1,3 N/mm²: other sizes.
- Suitable for temperatures -45 °C to +105 °C.
- Thermal conductivity: maximal 0.036 W/(m.K).
- Vapour permeability: 7,000 µ.
- Fire rating B2 according to DIN 4102/1.
- Fire rating B1 according to DIN 4102/1 as part of a system with tubes, elastomer insulation.




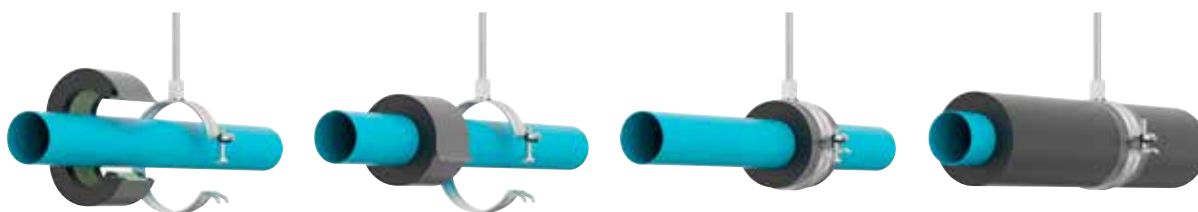
| Type | Ø pipe | | Max. vertical working load [N] | Strip dimensions [mm] | Dimensions | | | | | | Order Code |
|---------------------|----------------|----------|--------------------------------|-----------------------|------------|--------|--------|--------|--------|----|------------|
| | Ext. dia. [mm] | Nom. ["] | | | A [mm] | B [mm] | C [mm] | D [mm] | E [mm] | | |
| CB 13 x 10 | 10 | - | 50 | 20 x 1.5 | 73 | 21 | 15 | 36 | 13 | 10 | 39847 |
| CB 13 x 12 | 12 | - | 50 | 20 x 1.5 | 73 | 22 | 15 | 38 | 13 | 10 | 39848 |
| CB 13 x 15 | 15 | - | 50 | 20 x 1.5 | 81 | 23 | 15 | 41 | 13 | 10 | 39870 |
| CB 13 x 18 | 18 | - | 70 | 20 x 1.5 | 81 | 23 | 15 | 44 | 13 | 10 | 39871 |
| CB 13 x 22 - ½ | 22 | ½ | 80 | 20 x 1.5 | 85 | 25 | 15 | 48 | 13 | 10 | 39872 |
| CB 13 x 28 - ¾ | 28 | ¾ | 100 | 20 x 1.5 | 90 | 28 | 15 | 54 | 13 | 10 | 39873 |
| CB 13 x 35 - 1 | 35 | 1 | 130 | 20 x 1.5 | 98 | 32 | 15 | 61 | 13 | 10 | 39874 |
| CB 13 x 42 - 1 ¼ | 42 | 1 ¼ | 160 | 20 x 2.0 | 107 | 36 | 15 | 68 | 13 | 10 | 39875 |
| CB 13 x 48-50 - 1 ½ | 50 | 1 ½ | 180 | 20 x 2.0 | 115 | 40 | 15 | 76 | 13 | 10 | 39876 |
| CB 13 x 54 | 54 | - | 210 | 20 x 2.0 | 122 | 43 | 15 | 80 | 13 | 10 | 39841 |
| CB 13 x 60 - 2 | 60 | 2 | 230 | 20 x 2.0 | 134 | 49 | 15 | 86 | 13 | 10 | 39877 |
| CB 13 x 64 | 64 | - | 240 | 20 x 2.0 | 134 | 49 | 15 | 92 | 14 | 10 | 39843 |
| CB 13 x 76 - 2 ½ | 76 | 2 ½ | 740 | 20 x 2.5 | 155 | 60 | 15 | 111 | 17 | 10 | 39878 |
| CB 13 x 89-90 - 3 | 90 | 3 | 850 | 20 x 2.5 | 165 | 65 | 15 | 125 | 17 | 10 | 39879 |
| CB 13 x 114 - 4 | 114 | 4 | 1100 | 20 x 2.5 | 192 | 77 | 15 | 149 | 17 | 10 | 39880 |

CB Clips - 19 mm

- Similar to CB clips - 13 mm, but with 19 mm elastomer insulation.



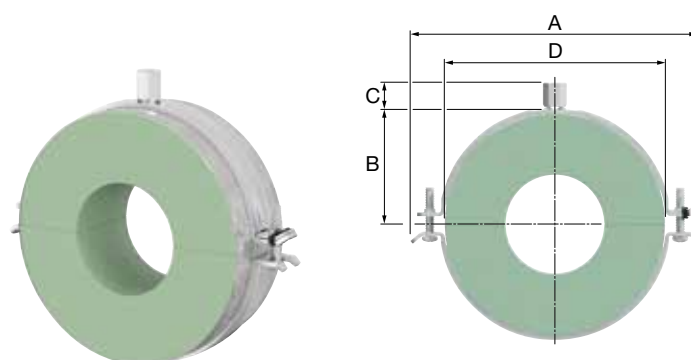
| Type | Ø pipe | | Max. vertical working load [N] | Strip dimensions [mm] | Dimensions | | | | |  | Order Code |
|-----------------------|----------------|----------|--------------------------------|-----------------------|------------|--------|--------|--------|--------|---|------------|
| | Ext. dia. [mm] | Nom. ["] | | | A [mm] | B [mm] | C [mm] | D [mm] | E [mm] | | |
| CB 19 x 18 | 18 | - | 70 | 20 x 1.5 | 98 | 32 | 15 | 64 | 19 | 10 | 39886 |
| CB 19 x 22 - 1/2 | 22 | 1/2 | 80 | 20 x 1.5 | 98 | 32 | 15 | 64 | 19 | 10 | 39887 |
| CB 19 x 28 - 3/4 | 28 | 3/4 | 100 | 20 x 1.5 | 104 | 35 | 15 | 70 | 19 | 10 | 39888 |
| CB 19 x 35 - 1 | 35 | 1 | 130 | 20 x 1.5 | 115 | 40 | 15 | 80 | 19 | 10 | 39889 |
| CB 19 x 42 - 1 1/4 | 42 | 1 1/4 | 160 | 20 x 2.0 | 122 | 43 | 15 | 86 | 19 | 10 | 39890 |
| CB 19 x 48-50 - 1 1/2 | 50 | 1 1/2 | 190 | 20 x 2.0 | 128 | 46 | 15 | 92 | 19 | 10 | 39891 |
| CB 19 x 54 | 54 | - | 210 | 20 x 2.0 | 134 | 49 | 15 | 98 | 19 | 10 | 39897 |
| CB 19 x 60 - 2 | 60 | 2 | 230 | 20 x 2.0 | 140 | 52 | 15 | 104 | 19 | 10 | 39892 |
| CB 19 x 64 | 64 | - | 240 | 20 x 2.0 | 140 | 52 | 15 | 104 | 20 | 10 | 39898 |
| CB 19 x 76 - 2 1/2 | 76 | 2 1/2 | 290 | 20 x 2.5 | 155 | 60 | 15 | 120 | 20 | 10 | 39893 |
| CB 19 x 89-90 - 3 | 90 | 3 | 850 | 20 x 2.5 | 177 | 70 | 15 | 140 | 24 | 10 | 39894 |
| CB 19 x 114 - 4 | 114 | 4 | 1100 | 20 x 2.5 | 211 | 87 | 15 | 174 | 26 | 10 | 39895 |



CC Clips - 30 mm

For mounting pipework with a elastomer insulation to the wall or ceiling to prevent thermal losses.

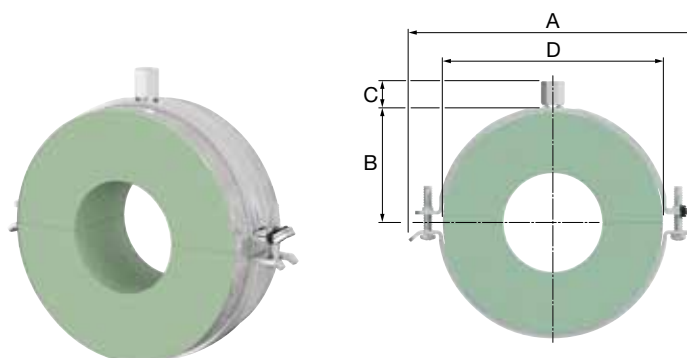
- Clip: Electrolytically zinc-plated.
- Insulation: 30 mm hard PIR insulation, coated with an aluminum foil.
- Connection: M 8/10.
- Insulation width: 50 mm.
- All clips are fitted with two cross head screws.
- Clips fitted with quick-locking system and bolts designed not to fall out during installation: all sizes up to CC 30 x 76-2 1/2" and CC 40 x 60-2".
- Clips fitted with retaining ring: all sizes above CC 30 x 76-2 1/2" and CC 40 x 60-2".
- PIR density 80 kg/m³, PIR pressure resistance 0.65 N/mm².
- Suitable for temperatures -200 °C to +120 °C.
- Thermal conductivity: maximal 0.029 W/(m.K).
- Vapour permeability: 30,000 μ.



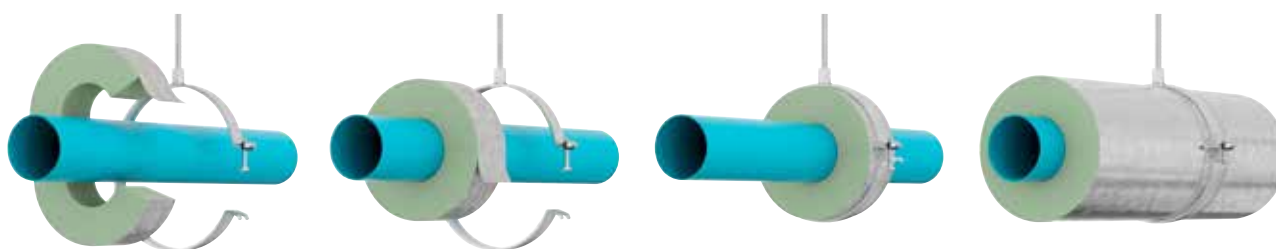
| Type | Ø pipe | | Max. vertical working load [N] | Strip dimensions [mm] | Dimensions | | | | | Order Code |
|-----------------------|----------------|----------|--------------------------------|-----------------------|------------|--------|--------|--------|----|------------|
| | Ext. dia. [mm] | Nom. ["] | | | A [mm] | B [mm] | C [mm] | D [mm] | | |
| CC 30 x 15 | 15 | - | 100 | 20 x 2.0 | 115 | 40 | 15 | 74 | 10 | 39770 |
| CC 30 x 18 - 3/8 | 18 | 3/8 | 125 | 20 x 2.0 | 115 | 40 | 15 | 77 | 10 | 39771 |
| CC 30 x 22 - 1/2 | 22 | 1/2 | 150 | 20 x 2.0 | 122 | 43 | 15 | 81 | 10 | 39772 |
| CC 30 x 28 - 3/4 | 28 | 3/4 | 175 | 20 x 2.0 | 128 | 46 | 15 | 87 | 10 | 39773 |
| CC 30 x 35 - 1 | 35 | 1 | 200 | 20 x 2.0 | 134 | 49 | 15 | 94 | 10 | 39774 |
| CC 30 x 42 - 1 1/4 | 42 | 1 1/4 | 250 | 20 x 2.0 | 140 | 52 | 15 | 102 | 10 | 39775 |
| CC 30 x 48-50 - 1 1/2 | 48 | 1 1/2 | 300 | 20 x 2.5 | 155 | 60 | 15 | 108 | 10 | 39776 |
| CC 30 x 54 | 54 | - | 350 | 20 x 2.5 | 155 | 60 | 15 | 114 | 10 | 39777 |
| CC 30 x 57 | 57 | - | 375 | 20 x 2.5 | 165 | 65 | 15 | 117 | 10 | 39778 |
| CC 30 x 60 - 2 | 60 | 2 | 400 | 20 x 2.5 | 165 | 65 | 15 | 120 | 10 | 39779 |
| CC 30 x 70 | 70 | - | 450 | 20 x 2.5 | 167 | 66 | 15 | 130 | 10 | 39780 |
| CC 30 x 76 - 2 1/2 | 76 | 2 1/2 | 500 | 20 x 2.5 | 177 | 70 | 15 | 136 | 10 | 39781 |
| CC 30 x 89 - 3 | 89 | 3 | 600 | 20 x 2.5 | 192 | 77 | 15 | 149 | 10 | 39782 |
| CC 30 x 108 | 108 | - | 700 | 20 x 2.5 | 211 | 87 | 15 | 168 | 10 | 39783 |
| CC 30 x 114 - 4 | 114 | 4 | 750 | 20 x 2.5 | 211 | 87 | 15 | 174 | 10 | 39784 |
| CC 30 x 133 | 133 | - | 775 | 20 x 3.0 | 245 | 104 | 15 | 193 | 10 | 39785 |
| CC 30 x 139 - 5 | 139 | 5 | 800 | 20 x 3.0 | 245 | 104 | 15 | 200 | 10 | 39786 |

CC Clips - 40 mm

- Similar to CC clips - 30 mm, but with 40 mm PIR insulation with aluminium liner.



| Type | Ø pipe | | Max. vertical working load [N] | Strip dimensions [mm] | Dimensions | | | | 📦 | Order Code |
|--------------------|----------------|----------|--------------------------------|-----------------------|------------|--------|--------|--------|----|------------|
| | Ext. dia. [mm] | Nom. ["] | | | A [mm] | B [mm] | C [mm] | D [mm] | | |
| CC 40 x 15 | 15 | - | 100 | 20 x 2.0 | 134 | 49 | 15 | 95 | 10 | 39850 |
| CC 40 x 18 - 3/8 | 18 | 3/8 | 125 | 20 x 2.0 | 140 | 52 | 15 | 97 | 10 | 39851 |
| CC 40 x 22 - 1/2 | 22 | 1/2 | 150 | 20 x 2.0 | 140 | 52 | 15 | 101 | 10 | 39852 |
| CC 40 x 28 - 3/4 | 28 | 3/4 | 175 | 20 x 2.0 | 155 | 60 | 15 | 107 | 10 | 39853 |
| CC 40 x 35 - 1 | 35 | 1 | 200 | 20 x 2.0 | 155 | 60 | 15 | 114 | 10 | 39854 |
| CC 40 x 42 - 1 1/4 | 42 | 1 1/4 | 250 | 20 x 2.0 | 165 | 65 | 15 | 122 | 10 | 39855 |
| CC 40 x 48 - 1 1/2 | 48 | 1 1/2 | 300 | 20 x 2.5 | 167 | 66 | 15 | 128 | 10 | 39856 |
| CC 40 x 54 | 54 | - | 350 | 20 x 2.5 | 177 | 70 | 15 | 134 | 10 | 39857 |
| CC 40 x 57 | 57 | - | 375 | 20 x 2.5 | 177 | 70 | 15 | 137 | 10 | 39858 |
| CC 40 x 60 - 2 | 60 | 2 | 400 | 20 x 2.5 | 177 | 70 | 15 | 140 | 10 | 39859 |
| CC 40 x 70 | 70 | - | 450 | 20 x 2.5 | 192 | 77 | 15 | 150 | 10 | 39860 |
| CC 40 x 76 - 2 1/2 | 76 | 2 1/2 | 500 | 20 x 2.5 | 205 | 84 | 15 | 156 | 10 | 39861 |
| CC 40 x 89 - 3 | 89 | 3 | 600 | 20 x 2.5 | 211 | 87 | 15 | 169 | 10 | 39862 |
| CC 40 x 108 | 108 | - | 700 | 20 x 2.5 | 229 | 96 | 15 | 188 | 10 | 39863 |
| CC 40 x 114 - 4 | 114 | 4 | 750 | 20 x 2.5 | 245 | 104 | 15 | 194 | 10 | 39864 |
| CC 40 x 133 | 133 | - | 775 | 20 x 3.0 | 255 | 108 | 15 | 213 | 10 | 39865 |
| CC 40 x 140 - 5 | 140 | 5 | 800 | 20 x 3.0 | 272 | 117 | 15 | 220 | 10 | 39866 |

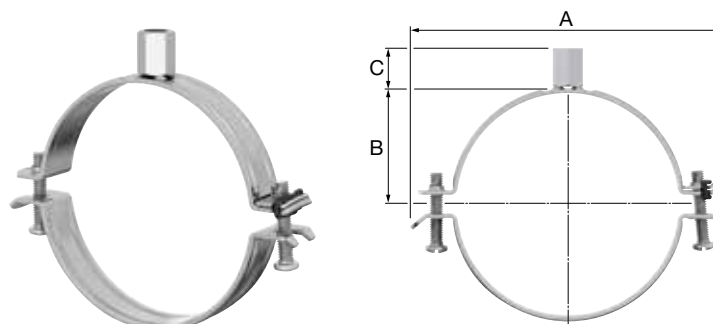




CK M 8/10 Clips

For mounting insulated pipework to the wall or ceiling.

- Electrolytically zinc-plated.
- Connection: M 8/10.



| Type | Ø Pipe ext. dia. [mm] | Strip dimensions [mm] | Max. working load [N] | Dimensions | | | | Order Code |
|-------|-----------------------|-----------------------|-----------------------|------------|--------|--------|----|------------|
| | | | | A [mm] | B [mm] | C [mm] | | |
| CK 0 | 35 - 38 | 20 x 1.5 | 1000 | 73 | 20 | 15 | 50 | 37522 |
| CK 1 | 41 - 44 | 20 x 1.5 | 1000 | 81 | 22 | 15 | 50 | 37500 |
| CK 2 | 46 - 48 | 20 x 1.5 | 1000 | 85 | 24 | 15 | 50 | 37501 |
| CK 3 | 50 - 53 | 20 x 1.5 | 1000 | 90 | 26.5 | 15 | 50 | 37502 |
| CK 4 | 58 - 61 | 20 x 1.5 | 1000 | 98 | 30.5 | 15 | 50 | 37503 |
| CK 5 | 64 - 67 | 20 x 1.5 | 1000 | 104 | 33.5 | 15 | 50 | 37504 |
| CK 6 | 67 - 70 | 20 x 1.5 | 1000 | 107 | 35 | 15 | 50 | 37505 |
| CK 7 | 73 - 76 | 20 x 2.0 | 1300 | 115 | 38 | 15 | 50 | 37506 |
| CK 8 | 80 - 83 | 20 x 2.0 | 1300 | 122 | 41.5 | 15 | 50 | 37507 |
| CK 9 | 84 - 89 | 20 x 2.0 | 1300 | 128 | 44.5 | 15 | 50 | 37508 |
| CK 10 | 90 - 95 | 20 x 2.0 | 1300 | 134 | 47.5 | 15 | 50 | 37509 |
| CK 11 | 96 - 101 | 20 x 2.0 | 1300 | 140 | 50.5 | 15 | 50 | 37510 |
| CK 12 | 109 - 115 | 20 x 2.5 | 1300 | 155 | 57.5 | 15 | 50 | 37511 |
| CK 13 | 118 - 125 | 20 x 2.5 | 1300 | 165 | 62.5 | 15 | 25 | 37512 |
| CK 14 | 121 - 127 | 20 x 2.5 | 1300 | 167 | 63.5 | 15 | 25 | 37513 |
| CK 15 | 131 - 136 | 20 x 2.5 | 1300 | 177 | 68 | 15 | 25 | 37514 |
| CK 16 | 142 - 150 | 20 x 2.5 | 2150 | 192 | 75 | 15 | 25 | 37515 |
| CK 17 | 158 - 163 | 20 x 2.5 | 2150 | 205 | 81.5 | 15 | 25 | 37516 |
| CK 18 | 164 - 169 | 20 x 2.5 | 2150 | 211 | 84.5 | 15 | 25 | 37517 |
| CK 19 | 183 - 189 | 20 x 2.0 | 2150 | 229 | 94.5 | 15 | 25 | 37518 |
| CK 20 | 194 - 202 | 20 x 3.0 | 3000 | 245 | 101 | 15 | 25 | 37519 |
| CK 21 | 204 - 211 | 20 x 3.0 | 3000 | 255 | 105.5 | 15 | 25 | 37520 |
| CK 22 | 222 - 229 | 20 x 3.0 | 3000 | 272 | 114.5 | 15 | 25 | 37521 |

Flamco Fixing Technology: Always a Fitting Choice

