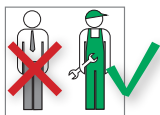


Protective Cap



Work on heating and domestic water systems must only be done by qualified professional personnel and in accordance with the respective applicable regulations, guidelines and rules of engineering.



Also available from Simplex:

Pressure Test Bridge with Quick Fastener (Art. no. F10088)

- For pressure testing, venting and draining
- Fixed axial distance of 50 mm
- Tool-free installation and removal
- Reusable



The illustrations are symbolic and may differ from the respective product. Errors and technical changes reserved.

Simply attach the protective cap to the pipe ends at the connection points to the radiator once the pipes have been laid. This prevents dirt from entering the pipes during subsequent plastering and decorating and the pipe ends having to be extensively cleaned before being connected to the radiator.

There is no need to apply adhesive to the pipe ends.

The protective cap is suitable for outer pipe diameters of 12 mm, 15 mm and 16 mm. It is pushed onto the pipe ends as far as the stop. The socket depth depends on the outer pipe diameter:

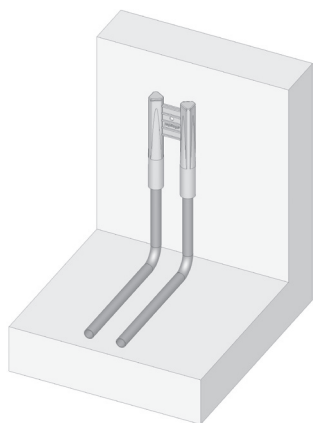
Outer pipe Ø	Socket depth
12 mm	150 mm
15 mm	125 mm
16 mm	approx. 105 mm (without stop)

The protective cap fixes the pipe ends in place at a distance of 50 mm.

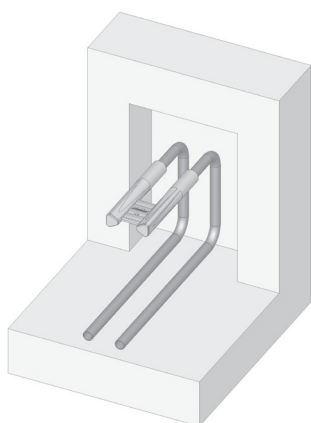
Simply remove the protective caps shortly before connecting the pipes to the radiator.

Ensure that plaster and screed only cover at most the cylindrical area of the protective cap to ensure that it can be removed with ease. Provide pipe ends of an appropriate length.

Installation



Straight



Angle